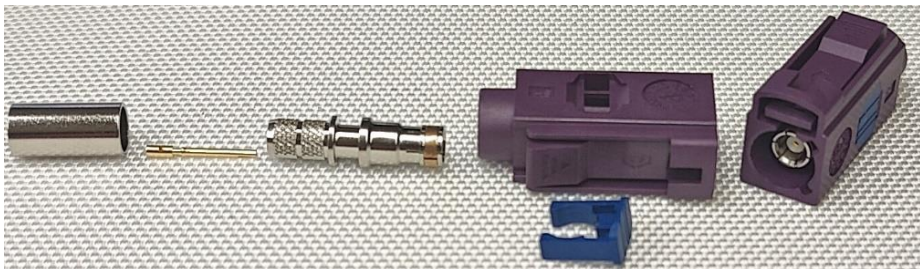
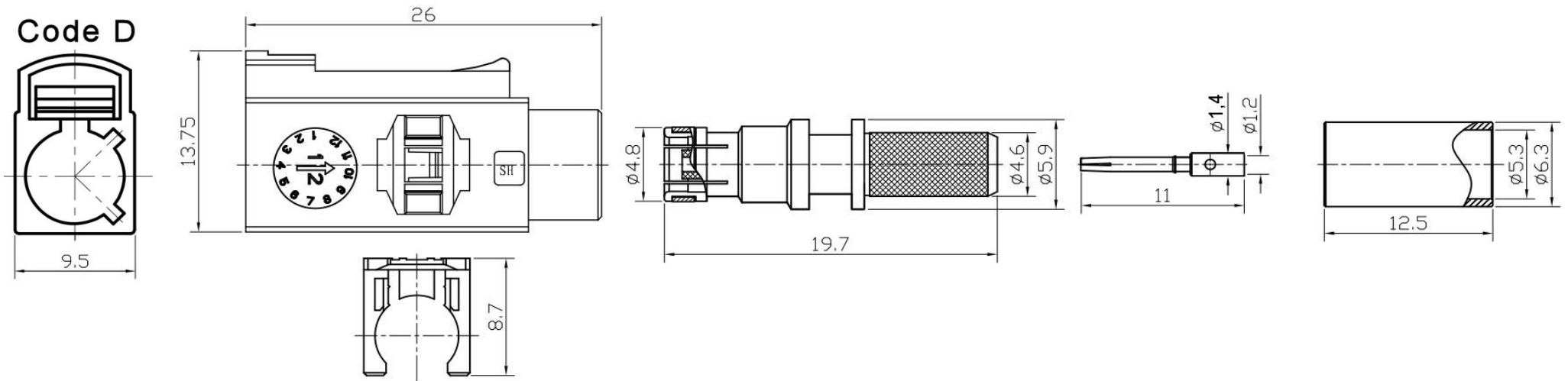


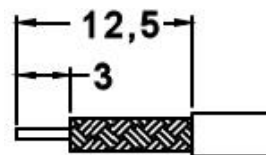
PRODUCT: FAKRA JACK, CODE D, VIOLET, CRIMP, STRAIGHT, 50 OHM, FOR AIRCELL 5, LMR-200
PRODUCT CODE: E2774, Paratronic Oy

Description	Material	Note	General information	
Contact pin, snap ring	Beryllium copper	1	Dimensions in millimeters (mm), unless otherwise specified. RoHS compliant. Directive 2015/863 with exemption 6(c) Note, finish, plating thickness in micro-inches, μin (minimum): 1. Gold (3) over nickel (50) over copper (50) 2. Nickel (100) over copper (50) Hex crimp size: Ferrule 5.41 mm / 0.213", pin to solder IP40 mated and unmated	Impedance 50 ohm Frequency range DC - 4 GHz VSWR 1.40 max Insertion loss ≤ 0.3 dB Insulator resistance ≥ 1 G Ω Resistance, center contact ≤ 5 m Ω , outer c. ≤ 2.5 m Ω Test voltage 750 V rms, working voltage 250 V rms
Insulator	PTFE	-		
Body	Brass	2		
Ferrule	Copper	2		
Housing	PA66 GF30	-		
Lock	PA66 GF30			

Code D



Cable stripping dimensions:



Title	Value
Drawing date	28.3.2024
Version	A
Website	www.paratronic.fi