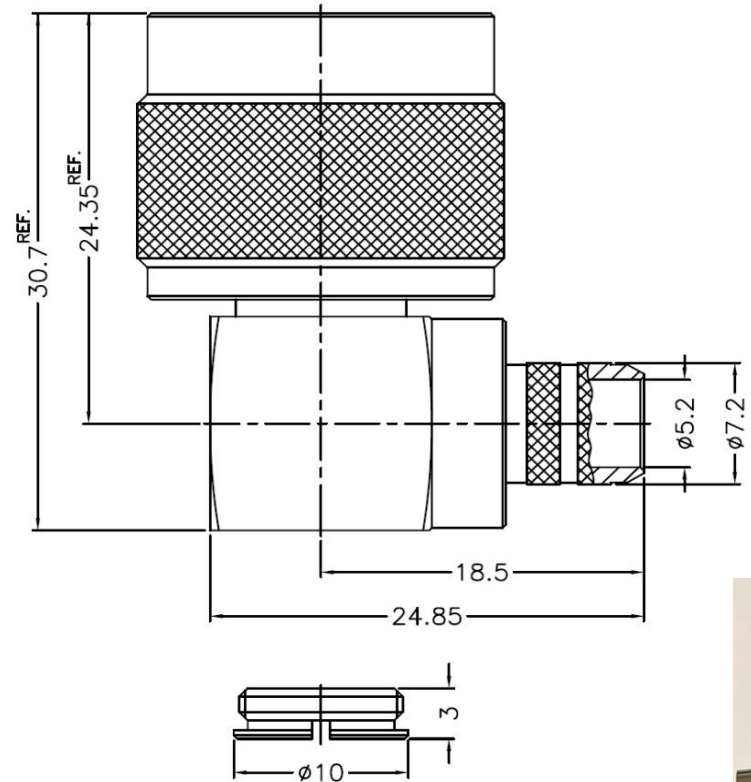


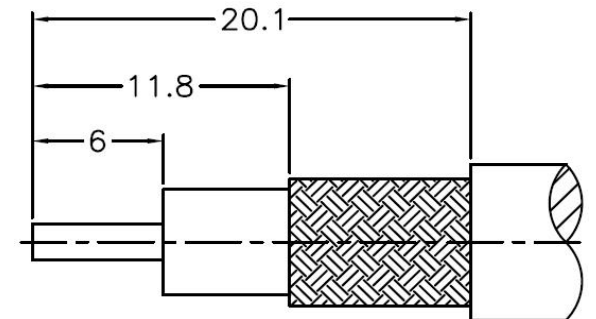
PRODUCT: N MALE CRIMP, RIGHT ANGLE, FOR AIRCELL 7, LMR-300

PRODUCT CODE: E3302, Paratronic Oy

Description	Material	Note	General information	
Contact pin	Brass	1	Dimensions in millimeters (mm), unless otherwise specified.	Impedance 50 ohm Frequency range DC - 6 GHz VSWR 1.30 max Insertion loss ≤ 0.3 dB Insulator resistance ≥ 5 G Ω Resistance, center contact ≤ 1.5 m Ω , outer c. ≤ 0.25 m Ω Test voltage 2500 V rms, working voltage 1400 V rms Power handling ≤ 200 W @ 2 GHz
Insulator	PTFE	-	RoHS compliant. Directive 2015/863 with exemption 6(c)	
Body	Brass	2	Note, finish, plating thickness in micro-inches, μ in (minimum):	
Shell	Brass	2	1. Gold (3) over nickel (50) over copper (50)	
Ferrule	Brass	2	2. Nickel (100) over copper (50)	
Nut	Brass	2	3. Passivated	
Barrel	Brass	2	Hex crimp size:	
Retainer ring	SUS 304	3	Ferrule 8.23 mm / 0.324"	
Gasket	Silicone	-	Pin 2.54 mm / 0.100", or solder	



Cable stripping dimensions:



Title	Value
Drawing date	19.2.2023
Version	A
Website	www.paratronic.fi