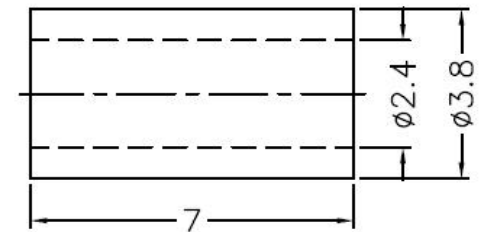
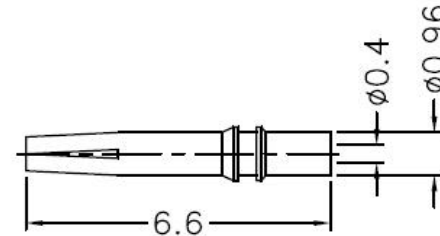
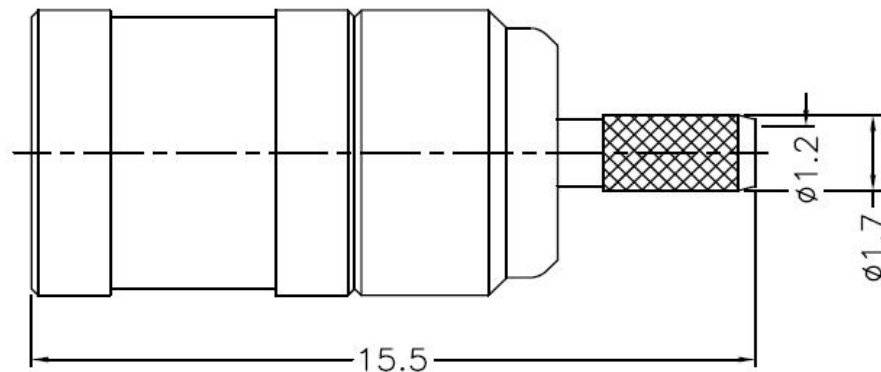
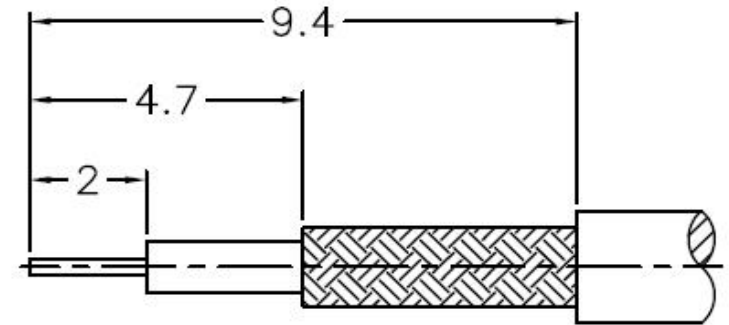


**PRODUCT: SMB PLUG STRAIGHT CRIMP, FOR RG-178, RG-196**  
**PRODUCT CODE: E3610, Paratronic Oy**

Description	Material	Note	General information
Ferrule	Copper	1	Dimensions in millimeters (mm), unless otherwise specified.
Pin	Beryllium copper	2	RoHS compliant. Directive 2015/863 with exemption 6(c)
Insulators	Teflon	-	Note, finish, plating thickness in micro-inches, $\mu\text{in}$ (minimum):
Body	Brass	1	1. Thin gold over nickel (50) over copper (50)
			2. Gold (3) over nickel (50) over copper (50)
Retainer ring	Beryllium copper	1	Hex crimp size:
			Ferrule 3.25 mm / 0.128", pin to solder
			IP40 mated and unmated



Title	Value
Drawing date	18.8.2021
Version	A
Website	<a href="http://www.paratronic.fi">www.paratronic.fi</a>