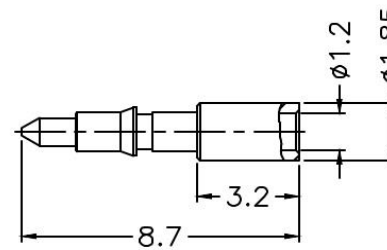
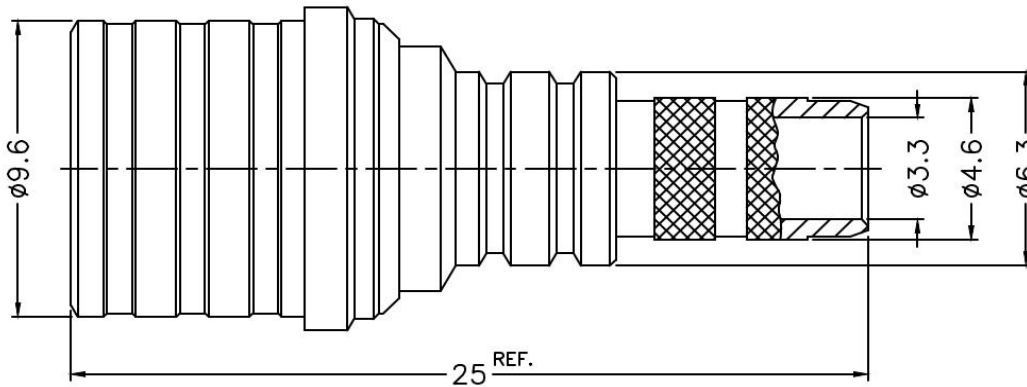
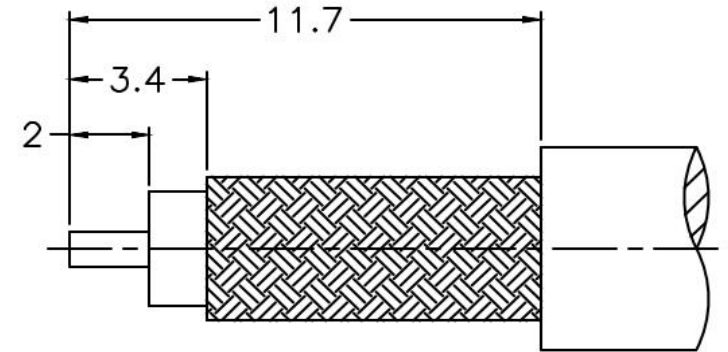


PRODUCT: QMA MALE CRIMP, STRAIGHT, 50 OHM, FOR AIRCELL 5, LMR-200
PRODUCT CODE: E3710, Paratronic Oy

| Description | Material | Note | General information |
|---------------|-----------------|------|--|
| Ferrule | Copper | 1 | Dimensions in millimeters (mm), unless otherwise specified. |
| Pin | Brass | 2 | RoHS compliant. Directive 2015/863 with exemption 6(c) |
| Insulator | PTFE | - | Note, finish, plating thickness in micro-inches, μin (minimum): |
| Body | Brass | 1 | 1. Albaloy (Copper-Tin-Zinc) (80) |
| Shell | Brass | 1 | 2. Gold (5) over copper (50) |
| Outer contact | Phosphor bronze | 1 | Hex crimp size: |
| | | | Ferrule 5.41 mm / 0.213", pin to solder |
| | | | IP40 mated and unmated |



| Title | Value |
|--------------|-------------------|
| Drawing date | 31.10.2022 |
| Version | A |
| Website | www.paratronic.fi |