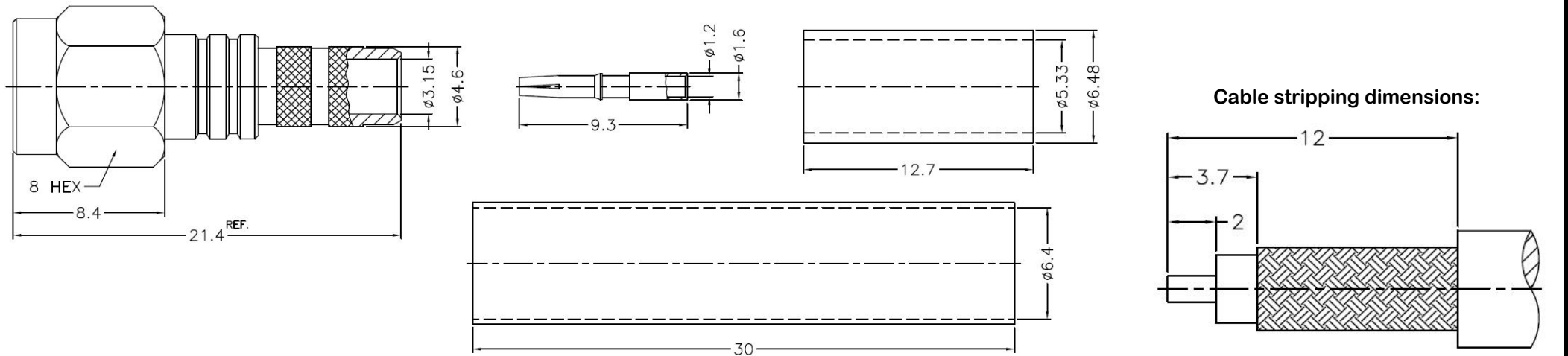


**PRODUCT: RP-SMA MALE CRIMP, FOR AIRCELL 5, LMR-200**

**PRODUCT CODE: E3755, Paratronic Oy**

Description	Material	Note	General information	
Pin	Beryllium copper	2	Dimensions in millimeters (mm), unless otherwise specified. RoHS compliant. Directive 2015/863 with exemption 6(c) Note, finish, plating thickness in micro-inches, $\mu$ in (minimum): 1. Thin gold over nickel (50) over copper (50) 2. Gold (3) over nickel (50) over copper (50) 3. Passivated Hex crimp size: Ferrule 5.41 mm / 0.213", pin to solder IP67 when mated, IP40 unmated	Impedance 50 ohm Frequency range DC - 6 GHz, VSWR 1.25 max Insertion loss $\leq$ 0.2 dB Insulator resistance $\geq$ 5 G $\Omega$ Resistance, center contact $\leq$ 3 m $\Omega$ , outer contact $\leq$ 2 m $\Omega$ Test voltage 1000 V rms, working voltage 480 V rms Power handling $\leq$ 200 W @ 2 GHz RF-leakage -60 dB min
Ferrule	Copper	1		
Insulator	Teflon	-		
Body	Brass	1		
Nut	Brass	1		
Retainer ring	SUS 304	3		
Gasket	Silicone	-		
Heat shrink	With glue	-		



Title	Value
Drawing date	19.1.2023
Version	A
Website	www.paratronic.fi