

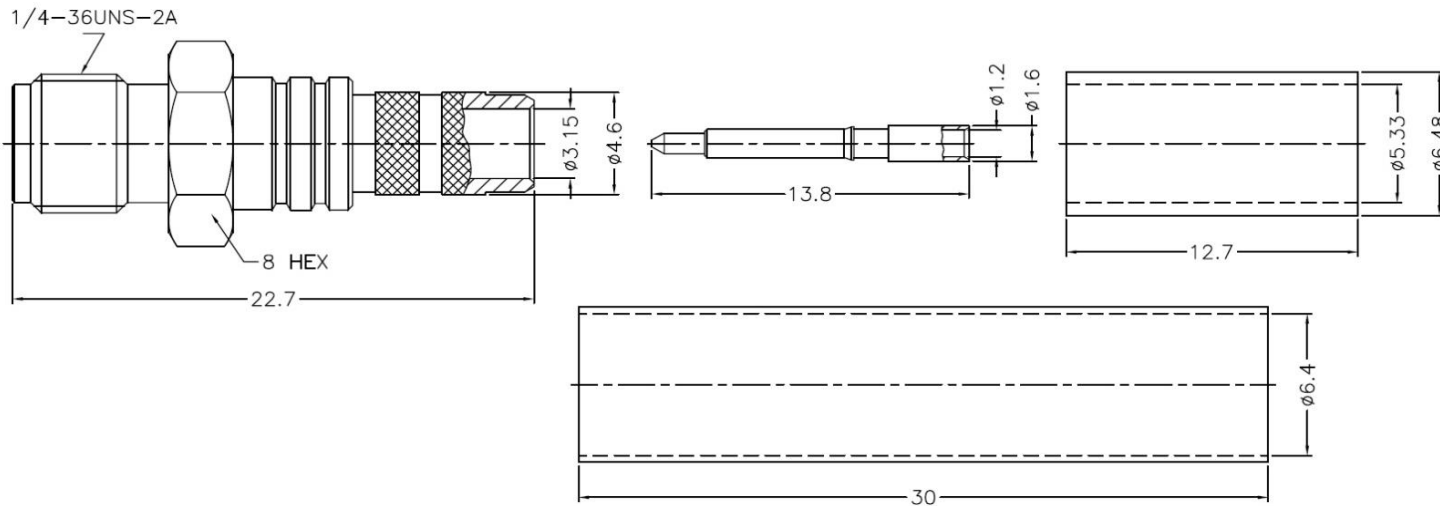
PRODUCT: RP-SMA FEMALE CRIMP, FOR AIRCELL 5, LMR-200
PRODUCT CODE: E3756, Paratronic Oy

Description	Material	Note
Ferrule	Copper	1
Pin	Brass	2
Insulator	Teflon	-
Body	Brass	1
Heat shrink	With glue	-

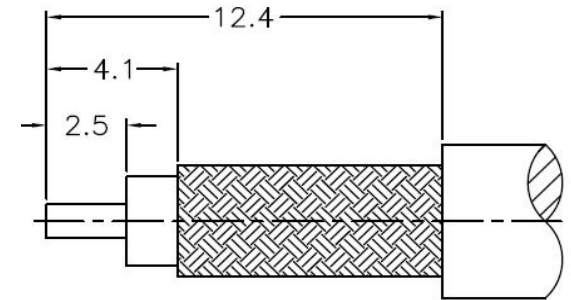
General information

Dimensions in millimeters (mm), unless otherwise specified.
 RoHS compliant. Directive 2015/863 with exemption 6(c)
 Note, finish, plating thickness in micro-inches, μin (minimum):
 1. Thin gold over nickel (50) over copper (50)
 2. Gold (3) over nickel (50) over copper (50)
 Hex crimp size:
 Ferrule 5.41 mm / 0.213", pin to solder
 IP67 when mated, IP40 unmated

Impedance 50 ohm
 Frequency range DC - 6 GHz, VSWR 1.25 max
 Insertion loss ≤ 0.2 dB
 Insulator resistance ≥ 5 G Ω
 Resistance, center contact ≤ 3 m Ω , outer contact ≤ 2 m Ω
 Test voltage 1000 V rms, working voltage 480 V rms
 Power handling ≤ 200 W @ 2 GHz
 RF-leakage -60 dB min



Cable stripping dimensions:



Title	Value
Drawing date	19.1.2023
Version	A
Website	www.paratronic.fi