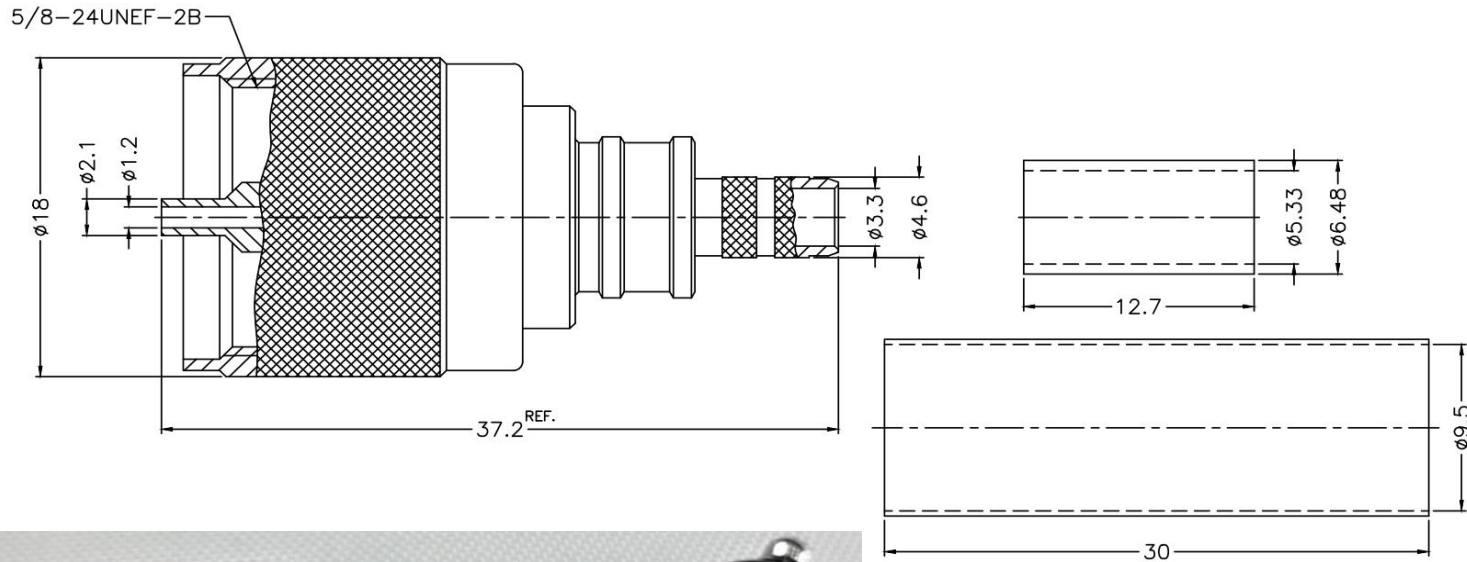
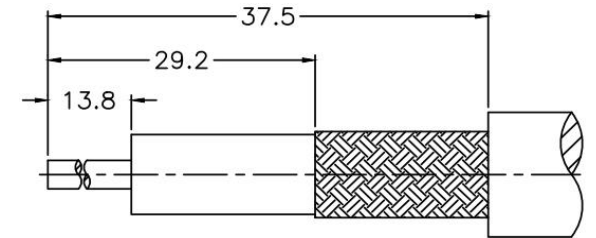


**PRODUCT: UHF MALE CRIMP, STRAIGHT, FOR AIRCELL 5, LMR-200**  
**PRODUCT CODE: E3762, Paratronic Oy**

Description	Material	Note	General information	
Contact pin	Brass	1	Dimensions in millimeters (mm), unless otherwise specified.	Impedance not defined Frequency range DC - 300 MHz Insulator resistance $\geq 5 \text{ G}\Omega$ Resistance, center contact $\leq 5 \text{ m}\Omega$ , outer c. $\leq 5 \text{ m}\Omega$ Test voltage 2200 V rms, working voltage 750 V rms Power handling $\leq 400 \text{ W @ 300 MHz}$
Ferrule	Copper	2	RoHS compliant. Directive 2015/863 with exemption 6(c)	
Insulators	PTFE	-	Note, finish, plating thickness in micro-inches, $\mu\text{in}$ (minimum):	
Body	Brass	2	1. Gold (3) over nickel (50) over copper (50)	
Shell	Brass	2	2. Nickel (100) over copper (50)	
Heat shrink	With glue	-	Hex crimp size:	
			Ferrule 5.41 mm / 0.213", pin 1.72 mm / 0.068" or solder	
			Cable/connector joint IP67. UHF coupling IP40.	



**Cable stripping dimensions:**



Title	Value
Drawing date	25.4.2023
Version	A
Website	www.paratronic.fi