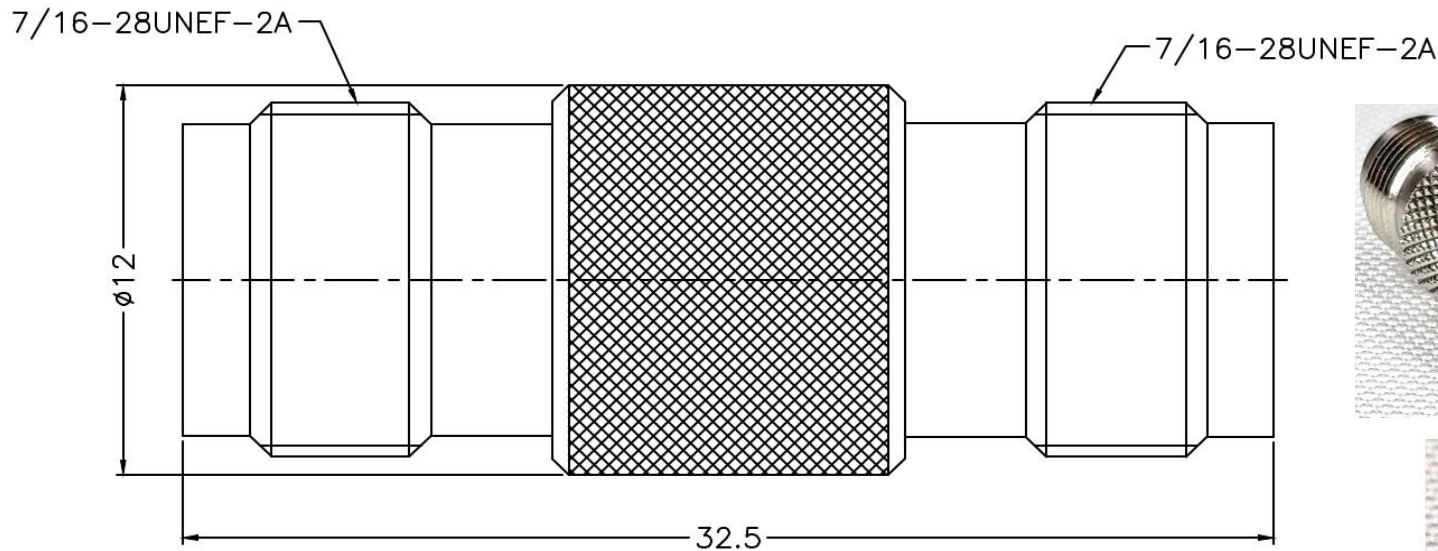


PRODUCT: TNC FEMALE TO TNC FEMALE ADAPTER, 50 OHM

PRODUCT CODE: E3810, Paratronic Oy

Description	Material	Note	General information	
Contact pin	Phosphor bronze	1	Dimensions in millimeters (mm), unless otherwise specified. RoHS compliant. Directive 2015/863 with exemption 6(c) Note, finish, plating thickness in micro-inches, μin (minimum): 1. Gold (3) over nickel (50) over copper (50) 2. Nickel (100) over copper (50)	Impedance 50 ohm Frequency range DC - 6 GHz VSWR 1.30 max Insertion loss ≤ 0.3 dB Insulator resistance ≥ 5 G Ω Resistance, center contact ≤ 1.5 m Ω , outer c. ≤ 1 m Ω Test voltage 1500 V rms, working voltage 400 V rms Power handling ≤ 80 W @ 2 GHz
Insulator	POM	-		
Body	Brass	2		
Housing	Brass	2		



Title	Value
Drawing date	18.7.2023
Version	A
Website	www.paratronic.fi