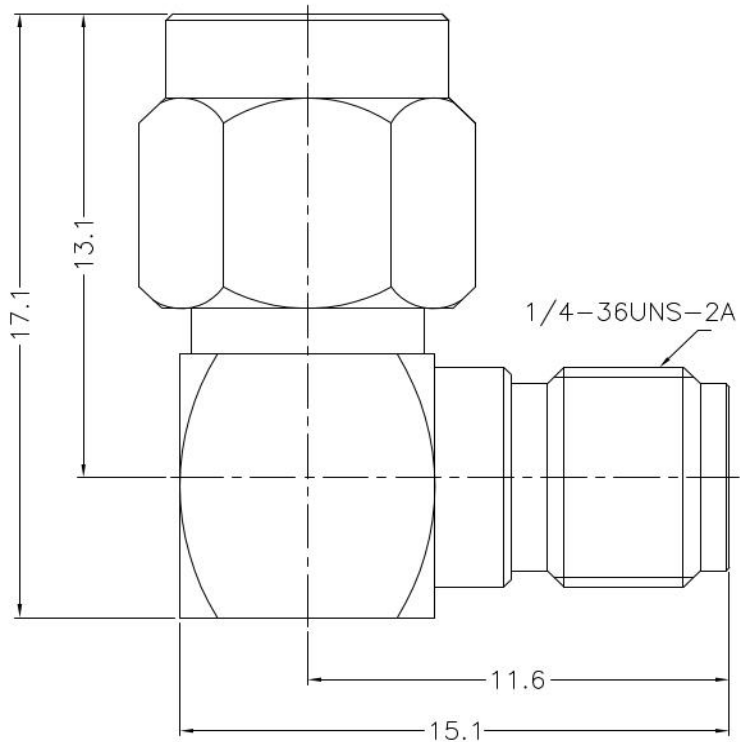


PRODUCT: RP-SMA MALE TO SMA FEMALE RIGHT ANGLE ADAPTER, 50 OHM

PRODUCT CODE: E3842, Paratronic Oy

Description	Material	Note	General information	
Contact pin 1 and 2	Beryllium copper	1	Dimensions in millimeters (mm), unless otherwise specified. RoHS compliant. Directive 2015/863 with exemption 6(c) Note, finish, plating thickness in micro-inches, μ in (minimum): 1. Gold (3) over nickel (50) over copper (50) 2. Nickel (100) over copper (50)	Impedance 50 ohm Frequency range DC - 6 GHz VSWR 1.25 max Insertion loss ≤ 0.2 dB Insulator resistance ≥ 5 G Ω Resistance, center contact ≤ 3 m Ω , outer contact ≤ 2 m Ω Test voltage 1000 V rms, working voltage 480 V rms Power handling ≤ 200 W @ 2 GHz RF-leakage -60 dB min
Insulators	PTFE	-		
Body	Brass	2		
Shell	Brass	2		
Cover	Brass	2		
Retainer ring	SUS 304	-		
Gasket	Silicone	-		



Title	Value
Drawing date	30.12.2023
Version	A
Website	www.paratronic.fi