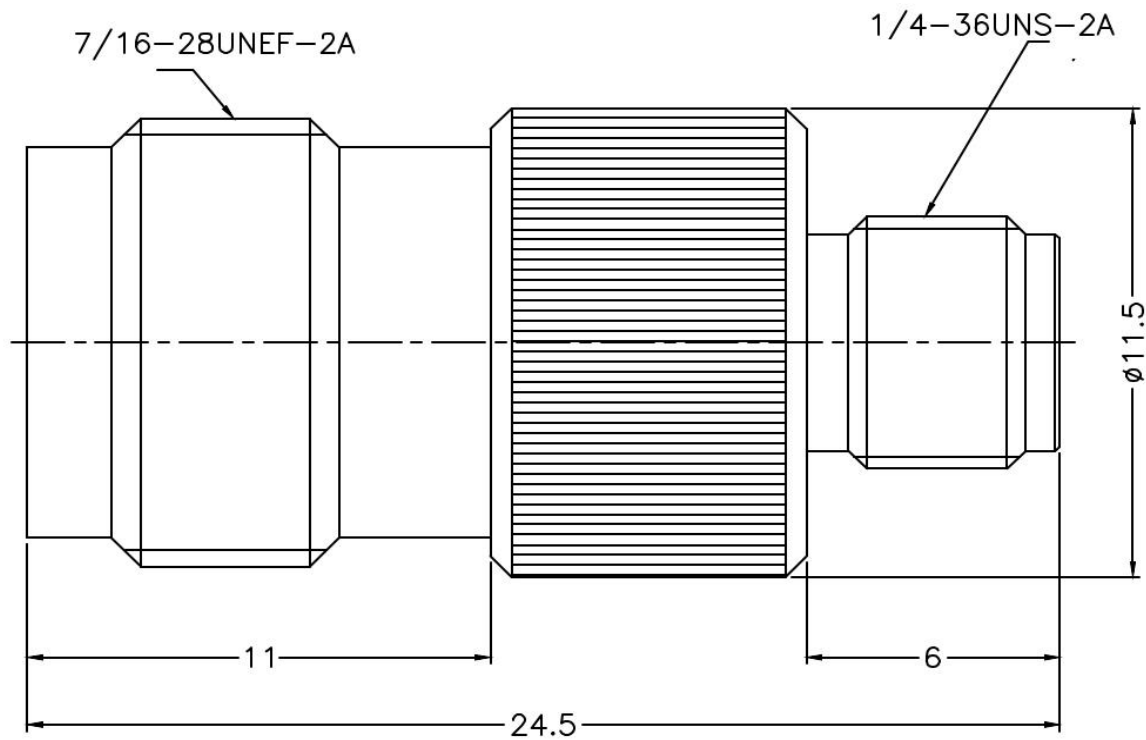


PRODUCT: SMA FEMALE TO TNC FEMALE ADAPTER, 50 OHM
PRODUCT CODE: E3845, Paratronic Oy

Description	Material	Note	General information	
Contact pin	Beryllium copper	1	Dimensions in millimeters (mm), unless otherwise specified. RoHS compliant. Directive 2015/863 with exemption 6(c) Note, finish, plating thickness in micro-inches, μ in (minimum): 1. Gold (3) over nickel (50) over copper (50) 2. Nickel (100) over copper (50)	Impedance 50 ohm Frequency range DC - 6 GHz VSWR 1.20 max Insertion loss \leq 0.3 dB
Insulator	PTFE	-		
Body	Brass	2		
Housing	Brass	2		



Title	Value
Drawing date	18.12.2023
Version	A
Website	www.paratronic.fi