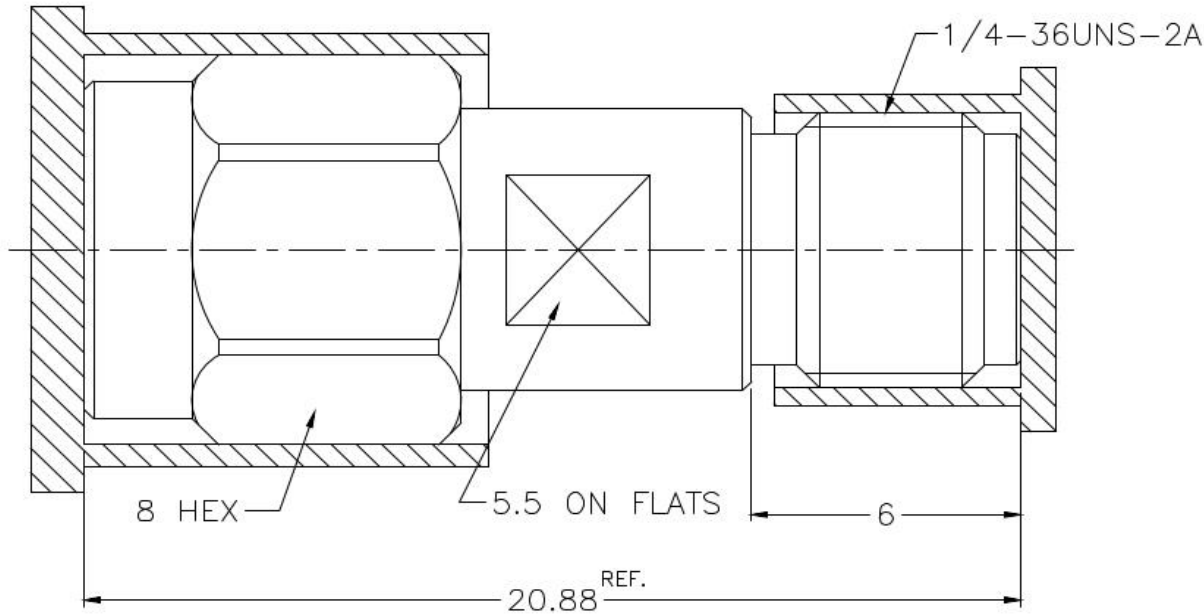


**PRODUCT: SMA MALE TO SMA FEMALE STRAIGHT ADAPTER, 50 OHM, 27 GHz**

**PRODUCT CODE: E3846, Paratronic Oy**

Description	Material	Note	General information	
Contact pin	Beryllium copper	1	Dimensions in millimeters (mm), unless otherwise specified. RoHS compliant. Directive 2015/863 with exemption 6(c)	Impedance 50 ohm Frequency range DC - 27 GHz
Insulators	PTFE	-		
Body, shell	Stainless steel	2	Note, finish, plating thickness in micro-inches, $\mu\text{in}$ (minimum): 1. Gold (10) over nickel (50) over copper (50) 2. Passivate	VSWR 1.15 max @ DC - 18 GHz VSWR 1.25 max @ 18 - 27 GHz Insulator resistance $\geq 5 \text{ G}\Omega$
Retainer ring	SUS 304	-		
Gasket	Silicone	-		
Protective caps	LDPE			
				Resistance, center contact $\leq 3 \text{ m}\Omega$ , outer c. $\leq 2.5 \text{ m}\Omega$ Test voltage 1000 V rms, working voltage 480 V rms



Title	Value
Drawing date	28.3.2024
Version	A
Website	www.paratronic.fi