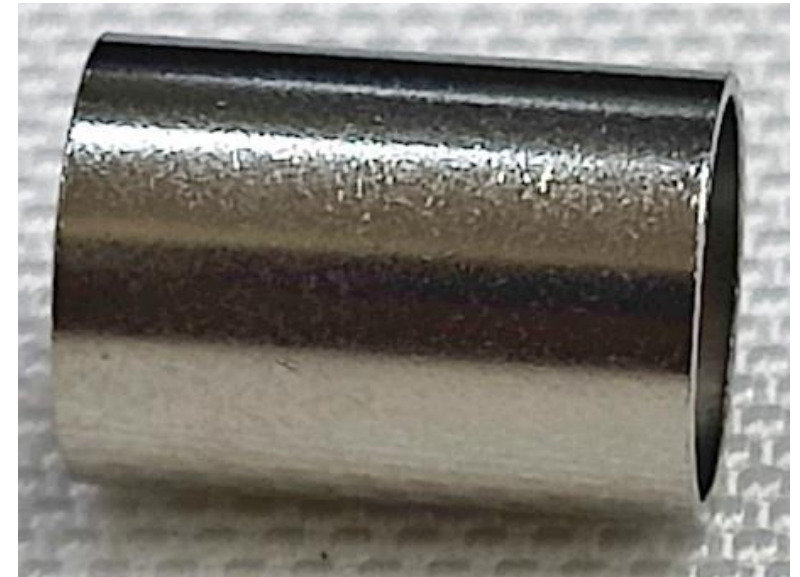
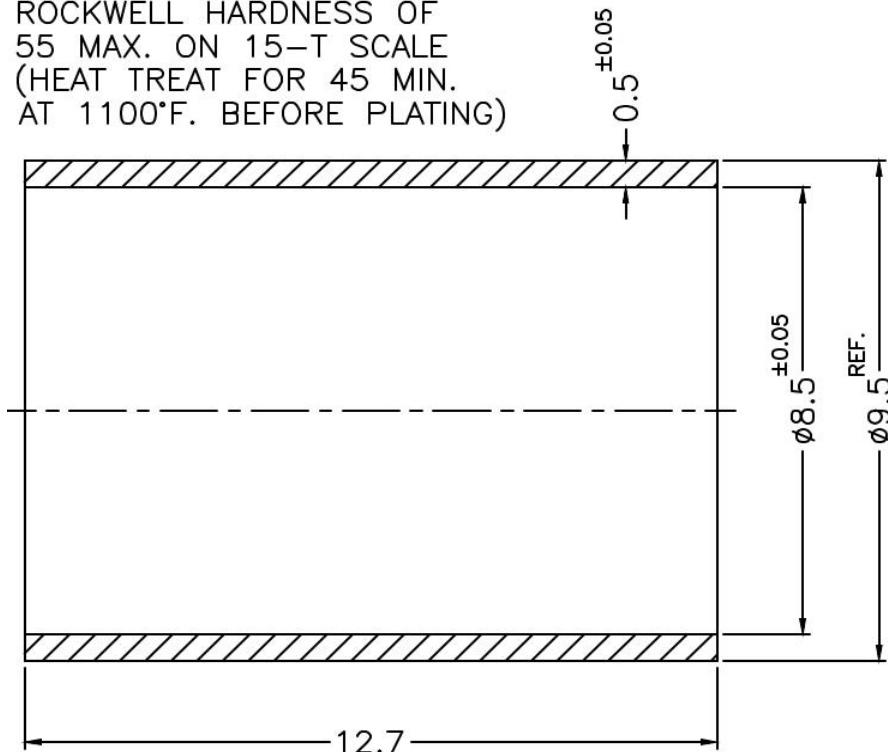


PRODUCT: CRIMP FERRULE FOR CONNECTORS E330x
PRODUCT CODE: E9704, Paratronic Oy

| Description | Material | Note | General information |
|-------------|----------|------|--|
| Ferrule | Brass | 1 | Dimensions in millimeters (mm), unless otherwise specified. |
| | | | RoHS compliant. Directive 2015/863 with exemption 6(c) |
| | | | Note, finish, plating thickness in micro-inches, μin (minimum): |
| | | | 1. Nickel (100) over copper (50) |
| | | | |
| | | | |
| | | | |
| | | | |
| | | | |

REMARK:

ROCKWELL HARDNESS OF
 55 MAX. ON 15-T SCALE
 (HEAT TREAT FOR 45 MIN.
 AT 1100°F. BEFORE PLATING)



| Title | Value |
|--------------|-------------------|
| Drawing date | 30.11.2022 |
| Version | B |
| Website | www.paratronic.fi |