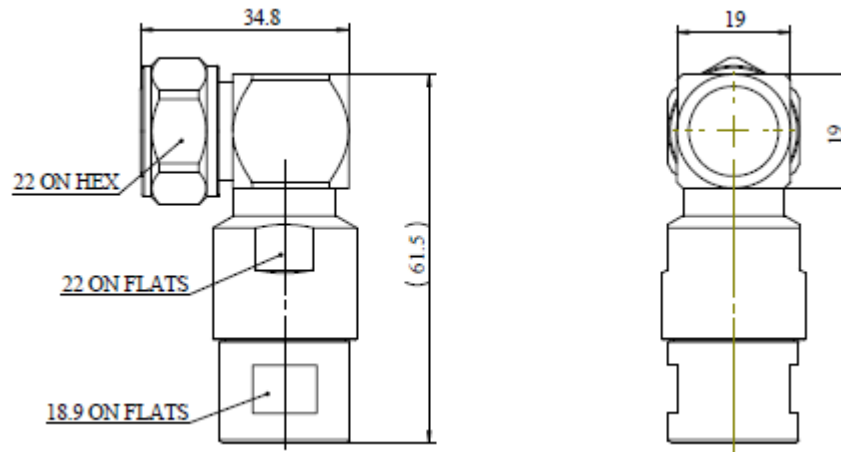


### 4.3/10 Male Right Angle connectors for RFA, RFX and RF2X 1/2" -50 cables

**NK CODE**                      **NKC 1012T00.12**

**DIMENSIONS**



**ELECTRICAL SPECIFICATIONS**

Impedance	50 Ω
Frequency range	DC – 4 GHz
VSWR	≤ 1.1
Insertion loss (2GHz)	< 0.1 dB
PIM	≤160 dBc (2*43dBm)
Insulation resistance	> 5 GΩ
Contact resistance of Outer contact	< 0.1 mΩ
Contact resistance of Inner contact	< 1.0 mΩ
Proof voltage	2.5 kV

**MECHANICAL SPECIFICATIONS**

Materials	
Inner contact	Spring copper, Ag plated,5um
Other metal parts	Brass, CuSnZn plated,2um
Nut	Brass, Ni plated
Insulators	PTFE & TPX
Gaskets	Silicon
Coupling torque	5 Nm
Mating cycles	> 100
Immersion test	IP 68, EN 60529
Reference standard	IEC61169-54
Installation instructions	AFS-DF61-1
Product marking	AFS-DF61-1

© PRYSMIAN GROUP 2014, All Rights Reserved  
 All sizes and values without tolerances are reference values. Specifications are for product as supplied by Prysmian Group: any modification or alteration afterwards of product may give different result.  
 The information contained within this document must not be copied, reprinted or reproduced in any form, either wholly or in part, without the written consent of Prysmian Group. The information is believed to be correct at the time of issue. Prysmian Group reserves the right to amend this specification without prior notice. This specification is not contractually valid unless specifically authorised by Prysmian Group.