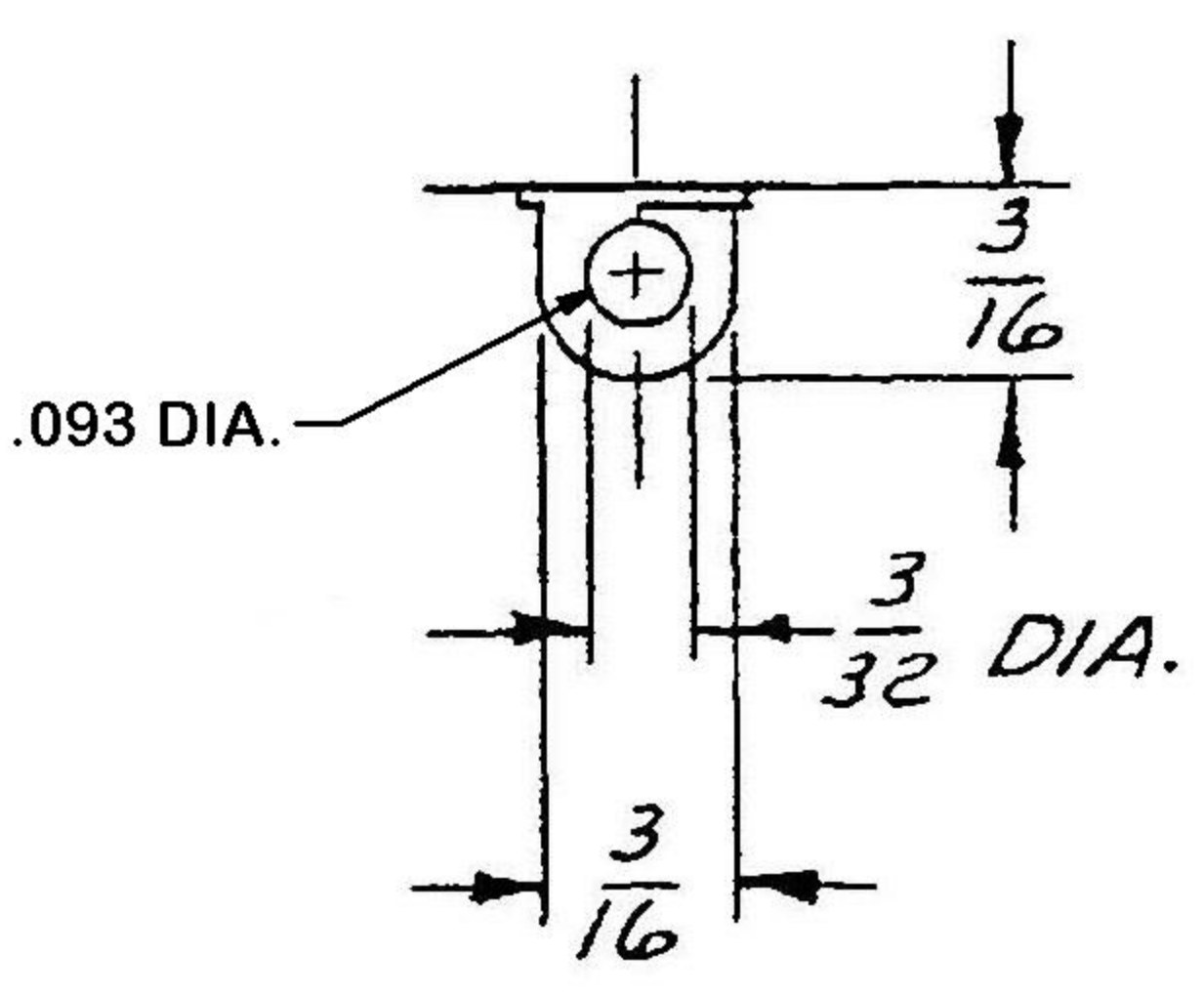
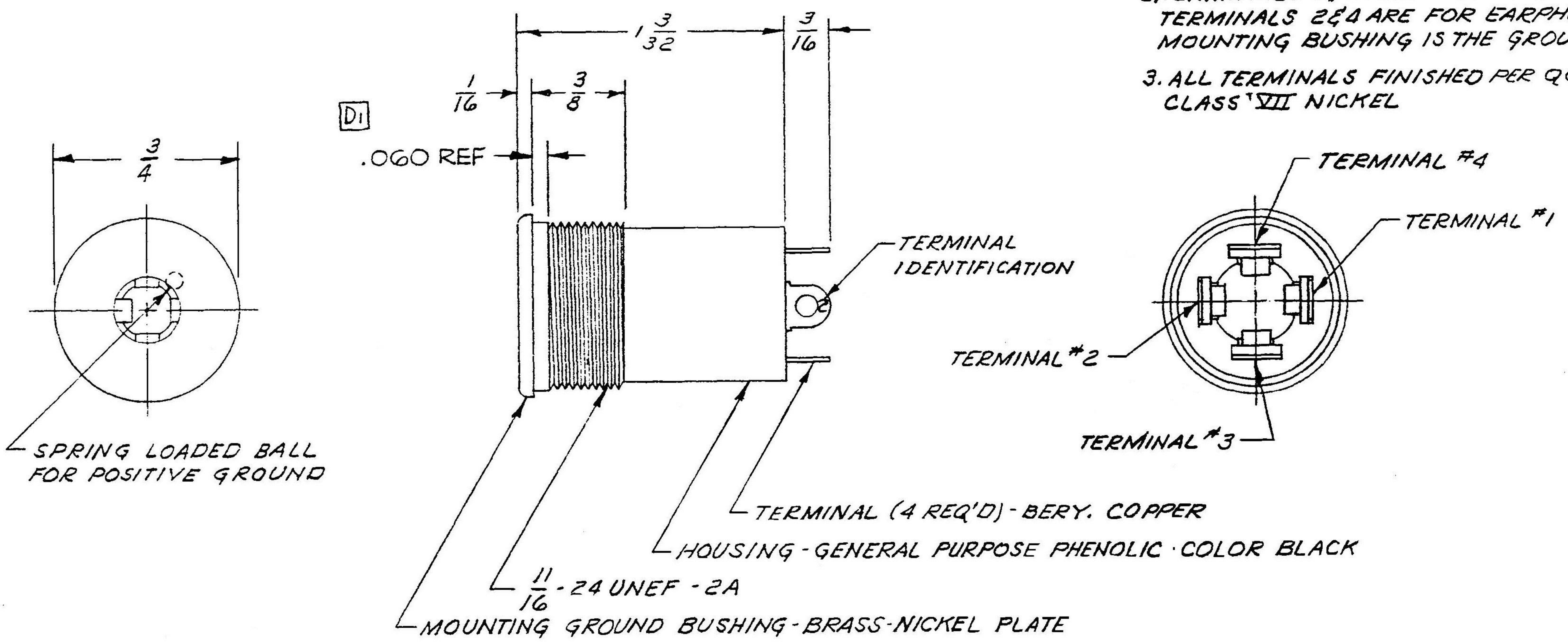


B TJT-125

- NOTES:**
1. ASSEMBLY TO MAKE CONTACT WITH TELEPHONE PLUG NEXUS TP-125.
 2. TERMINALS 1 & 3 ARE FOR MICROPHONE CIRCUIT, TERMINALS 2 & 4 ARE FOR EARPHONE CIRCUIT, MOUNTING BUSHING IS THE GROUND
 3. ALL TERMINALS FINISHED PER QQ-N-290 TYPE 1 CLASS VII NICKEL



TERMINAL DETAIL

D	NOTE WAS FULL THREAD TO WITHIN .060"	2/4/30							
C	REDRAWN	9969							
LET.	REVISION	DATE	CHK.	UNLESS OTHERWISE SPECIFIED DIMENSIONS ARE IN INCHES TOLERANCES ON FRACTIONS DECIMALS ANGLES		DWN. BY <i>M. Ambro</i>		DATE 9-9-69	MATERIAL
						CHECKED BY			FINISH
						APPR. BY			WEIGHT
								SCALE 2:1	TITLE
									PHONE JACK ASSEMBLY FIVE CONDUCTOR
									NEXUS STAMFORD, CONN.
									SIZE DWG. NO.
									B TJT-125
									DO NOT SCALE DWG. SHEET OF