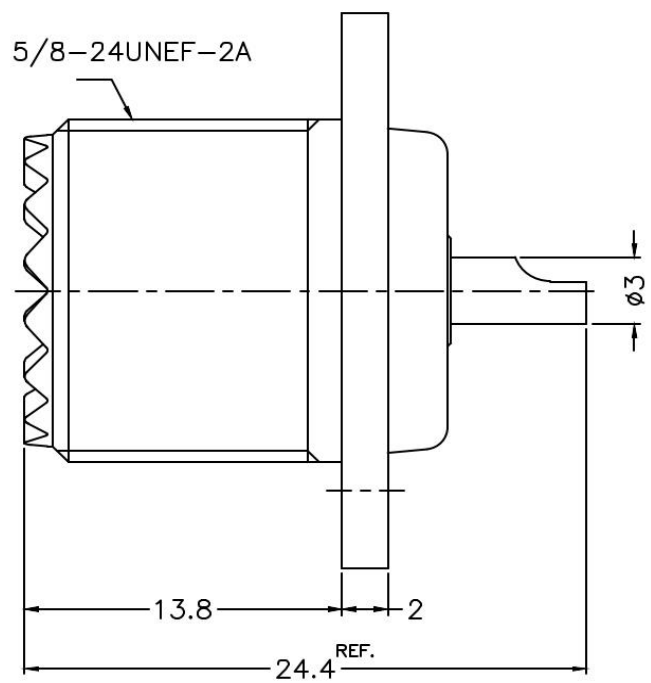
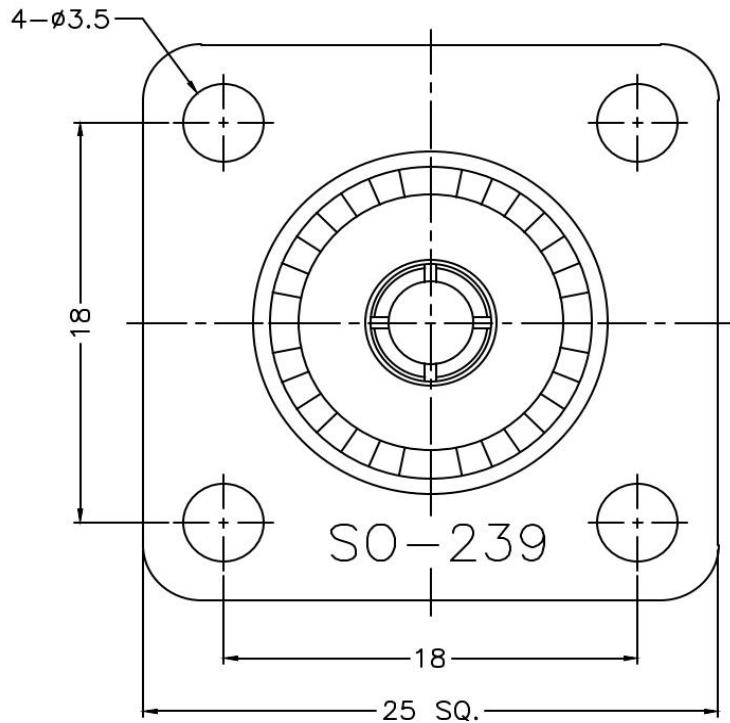


PRODUCT: UHF 4 HOLE STRAIGHT FLANGE RECEPTACLE JACK, FEMALE

PRODUCT CODE: E3220, Paratronic Oy

Description	Material	Note	General information	
Contact pin	Brass	1	Dimensions in millimeters (mm), unless otherwise specified. RoHS compliant. Directive 2015/863 with exemption 6(c)	Impedance not defined Frequency range DC - 300 MHz
Insulator	PTFE	-		
Body	Zink diecast	2	Note, finish, plating thickness in micro-inches, μin (minimum): 1. Gold (3) over nickel (50) over copper (50) 2. Nickel	Insulator resistance $\geq 5 \text{ G}\Omega$ Resistance, center contact $\leq 5 \text{ m}\Omega$, outer c. $\leq 5 \text{ m}\Omega$ Test voltage 2200 V rms, working voltage 750 V rms Power handling $\leq 400 \text{ W @ 300 MHz}$



Title	Value
Drawing date	30.6.2023
Version	A
Website	www.paratronic.fi