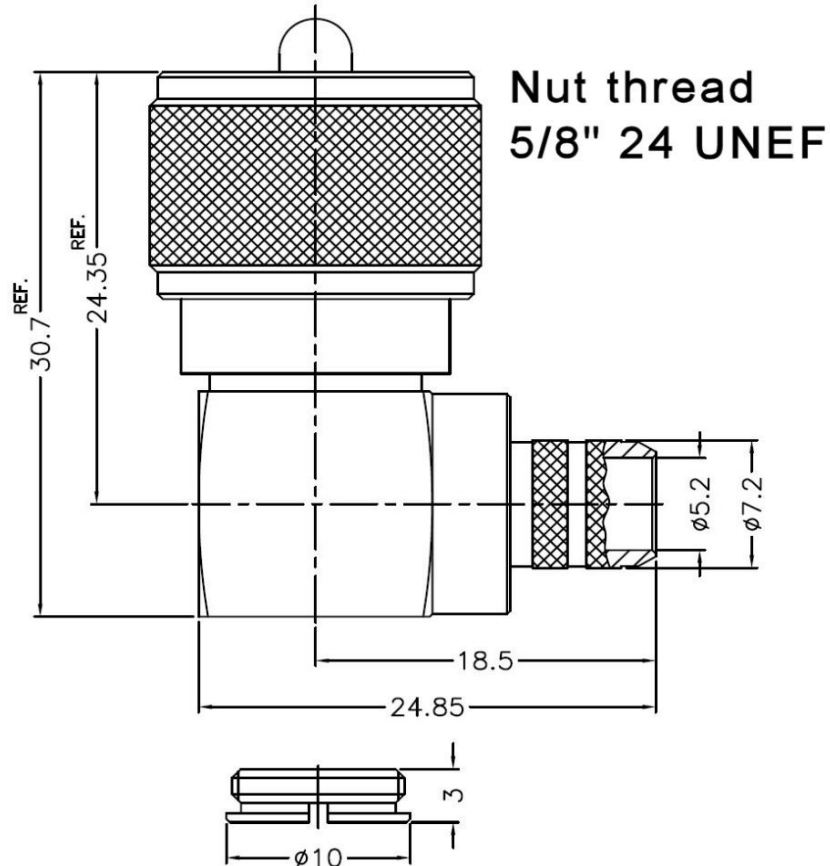
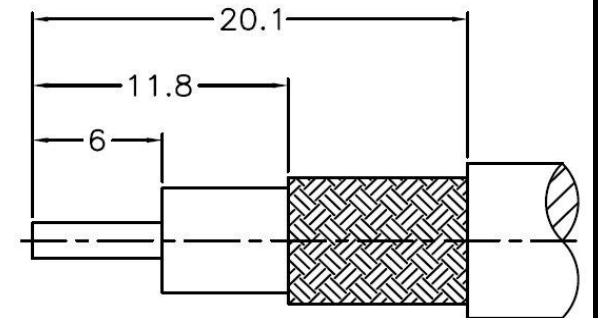


PRODUCT: UHF MALE CRIMP, RIGHT ANGLE, FOR AIRCELL 7, LMR-300
PRODUCT CODE: E3301, Paratronic Oy

Description	Material	Note	General information	
Contact pin	Brass	1	Dimensions in millimeters (mm), unless otherwise specified. RoHS compliant. Directive 2015/863 with exemption 6(c) Note, finish, plating thickness in micro-inches, μ in (minimum): 1. Gold (3) over nickel (50) over copper (50) 2. Nickel (100) over copper (50) 3. Passivated Hex crimp size: Ferrule 8.23 mm / 0.324" Pin 2.54 mm / 0.100", or solder	Impedance not defined Frequency range DC - 300 MHz Insulator resistance $\geq 5 \text{ G}\Omega$ Resistance, center contact $\leq 5 \text{ m}\Omega$, outer c. $\leq 5 \text{ m}\Omega$ Test voltage 2200 V rms, working voltage 750 V rms Power handling $\leq 400 \text{ W @ 300 MHz}$
Insulator	PTFE	-		
Body	Brass	2		
Shell	Brass	2		
Ferrule	Brass	2		
Nut	Brass	2		
Barrel	Brass	2		
Retainer ring	SUS 304	3		



Cable stripping dimensions:



Title	Value
Drawing date	19.2.2023
Version	A
Website	www.paratronic.fi