

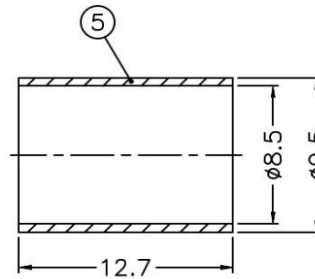
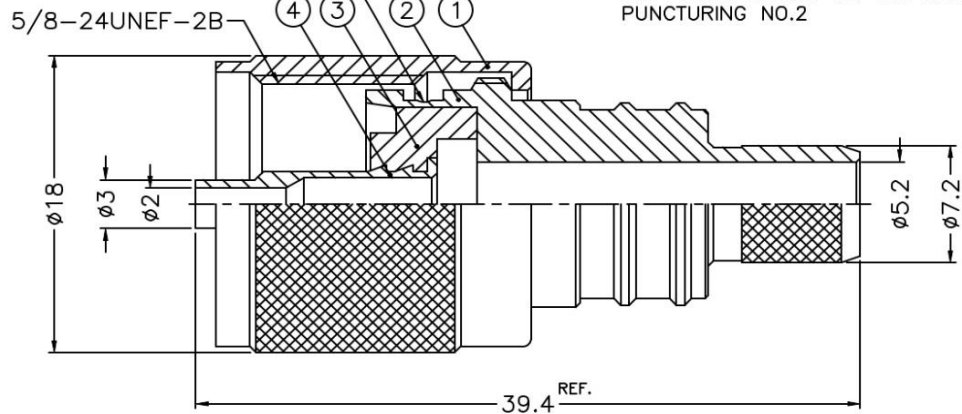
PRODUCT: UHF MALE PLUG CRIMP, STRAIGHT, FOR AIRCELL 7, LMR-300

PRODUCT CODE: E3315, Paratronic Oy

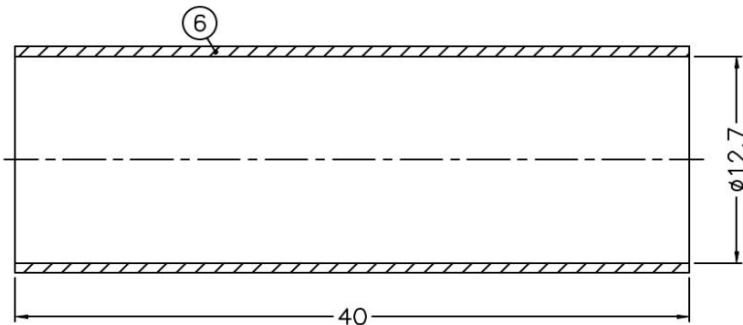
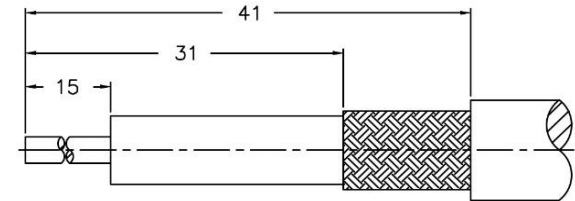
Description	Material	Note	General information	
Contact pin(4)	Brass	1	Dimensions in millimeters (mm), unless otherwise specified. RoHS compliant. Directive 2015/863 with exemption 6(c) Note, finish, plating thickness in micro-inches, μin (minimum): 1. Gold (5) over copper (50) 2. Albaloy, copper-tin-zinc (80) Hex crimp size: Ferrule 8.23 mm / 0.324" Pin 2.54 mm / 0.100", or solder Thread 5/8" 24 UNEF	Impedance not defined Frequency range DC - 300 MHz Insertion loss 0.2 dB max @ DC - 300 MHz Insulator resistance $\geq 5000 \text{ M}\Omega$ Resistance, center contact $\leq 3 \text{ m}\Omega$, outer c. $\leq 2 \text{ m}\Omega$ Test voltage 1000 V rms, working voltage 500 V rms Power handling $\leq 400 \text{ W @ 300 MHz}$ Assembly instruction: AS-5
Insulator(3)	PTFE	-		
Body(2)	Brass	2		
Shell(1)	Brass	2		
Ferrule(5)	Brass	2		
Heat shrink(6)	With glue	-		

STAKE IN 6 PLACES
EQUALLY SPACED 60° APART
(SEE REMARK 1,2)

REMARK:1. NO.3 MUST WITHSTAND A 6 lbs. MIN.
PUSHOUT FORCE FROM NO.2 AFTER STAKING
OPERATION
2. REMARK 1 IS MAINTAINED BY STAMPING THE
SIX POINTS SHOWN ON THE DRAWING WITHOUT
PUNCTURING NO.2



Cable stripping dimensions:



Title	Value
Drawing date	25.11.2024
Version	A
Website	www.paratronic.fi