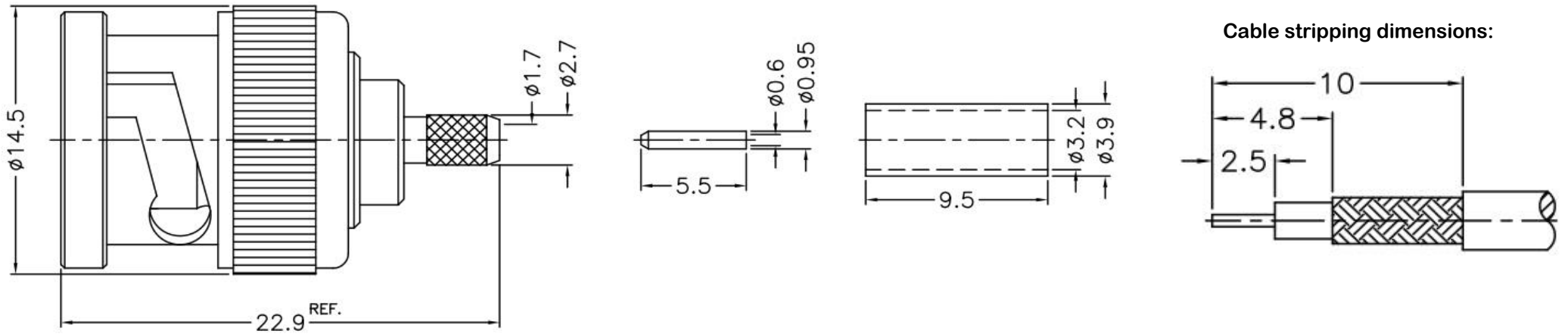


PRODUCT: BNC MALE STRAIGHT CRIMP, RG-174, RG-188A, RG-316, LMR-100

PRODUCT CODE: E3503, Paratronic Oy

Description	Material	Note	General information	
Contact pin	Phosphor bronze	1	Dimensions in millimeters (mm), unless otherwise specified.	Impedance 50 ohm
Insulator	PTFE	-		
Body, shell	Brass	2	Note, finish, plating thickness in micro-inches, μ in (minimum): 1. Gold (3) over nickel (50) over copper (50) 2. Nickel (100) over copper (50)	VSWR 1.35 max
Spring	SK5	2		Hex crimp size:
Ferrule	Brass	2	Ferrule 3.25 mm / 0.128", pin to solder or square crimp 0.7mm	Insulator resistance ≥ 5 G Ω
Washer	Brass	2		Test voltage 1500 V rms, working voltage 400 V rms
Retainer ring	Brass	2	IP40 mated and unmated	Power handling ≤ 80 W @ 2 GHz
Pin 2	Brass	1		
Gasket	Rubber	-		



Title	Value
Drawing date	19.2.2023
Version	A
Website	www.paratronic.fi