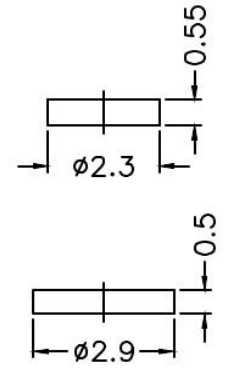
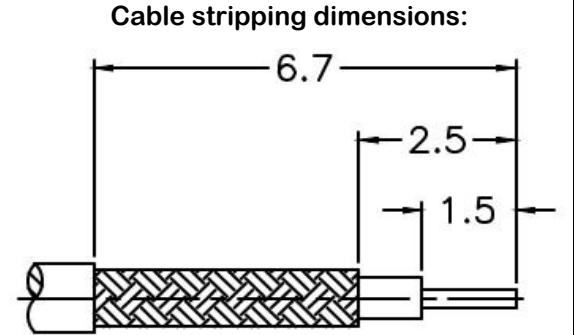
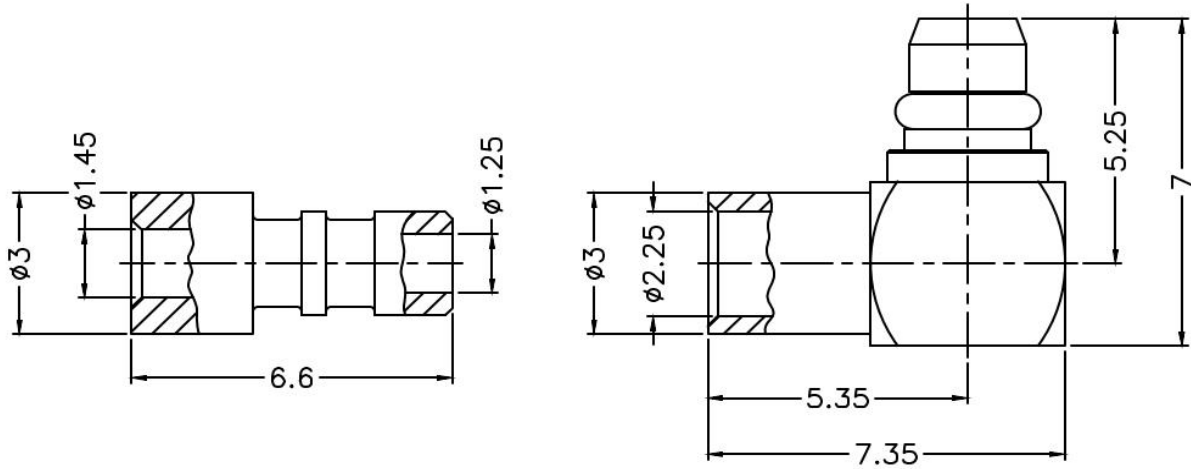


PRODUCT: MMCX MALE CRIMP RIGHT ANGLE, FOR 1.37mm CABLE
PRODUCT CODE: E3631, Paratronic Oy

Description	Material	Note	General information	
Contact pin	Brass	1	Dimensions in millimeters (mm), unless otherwise specified. RoHS compliant. Directive 2015/863 with exemption 6(c) Note, finish, plating thickness in micro-inches, μin (minimum): 1. Gold (3) over nickel (50) over copper (50) 2. Thin gold over nickel (50) over copper (50)	Impedance 50 ohm Frequency range DC - 6 GHz, VSWR 1.50 max Insertion loss ≤ 0.3 dB Insulator resistance ≥ 1 G Ω Resistance, center contact ≤ 5 m Ω , outer c. ≤ 2.5 m Ω Test voltage 500 V rms, working voltage 175 V rms
Insulators	PTFE	-		
Body	Brass	2		
Ferrule	Brass	2		
Cover	Brass	2		
Retainer ring	Beryllium copper	2		
			Hex crimp size: Ferrule 2.54mm (0.100"), pin to solder IP40	



Title	Value
Drawing date	27.6.2023
Version	A
Website	www.paratronic.fi