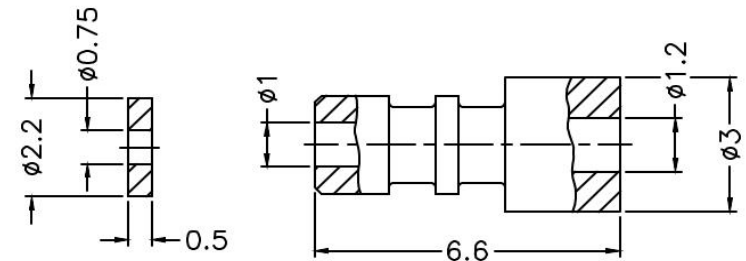
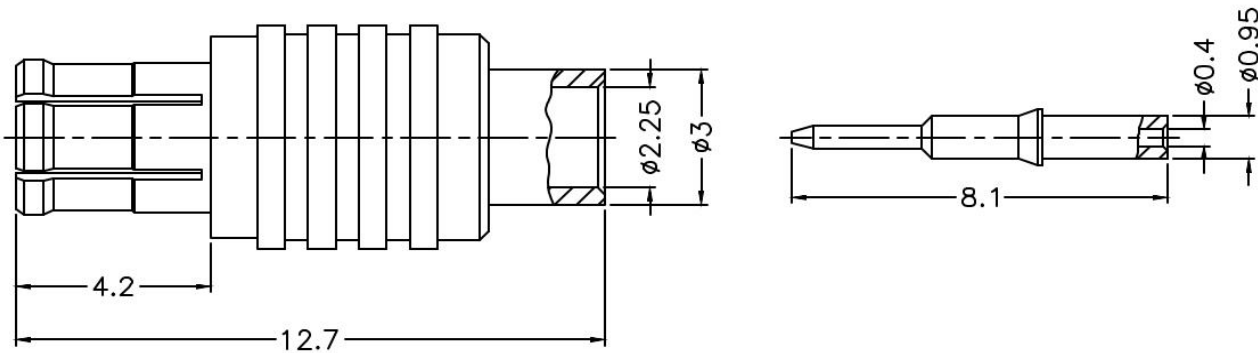
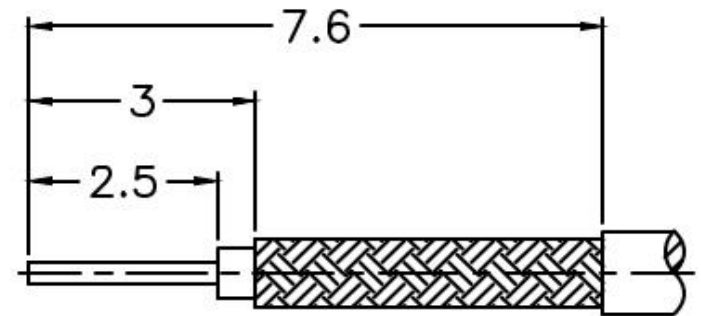


PRODUCT: MCX MALE CRIMP, FOR 1.13 mm COAXIAL CABLE
PRODUCT CODE: E3640, Paratronic Oy

Description	Material	Note	General information
Ferrule	Brass	1	Dimensions in millimeters (mm), unless otherwise specified.
Pin	Brass	2	RoHS compliant. Directive 2015/863 with exemption 6(c)
Insulators	PTFE	-	Note, finish, plating thickness in micro-inches, μ in (minimum):
Housing	Brass	1	1. Thin gold over nickel (50) over copper (50)
			2. Gold (3) over nickel (50) over copper (50)
Body	Beryllium copper	1	Hex crimp size:
			Ferrule 2.54 mm / 0.100", pin to solder
			IP40 mated and unmated



Title	Value
Drawing date	31.8.2022
Version	A
Website	www.paratronic.fi