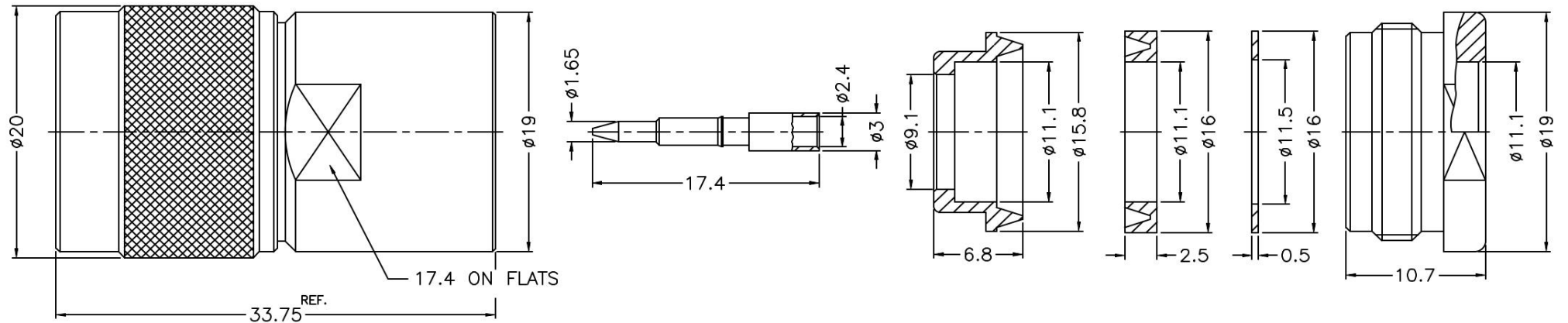


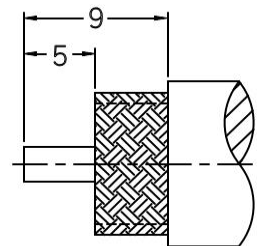
PRODUCT: N MALE CLAMP, STRAIGHT, 50 OHM, FOR RG-213/U, RG-214/U, RG-393/U
PRODUCT CODE: E3660, Paratronic Oy

Description	Material	Note	General information	
Contact pin	Brass	1	Dimensions in millimeters (mm), unless otherwise specified. RoHS compliant. Directive 2015/863 with exemption 6(c) Note, finish, plating thickness in micro-inches, μin (minimum): 1. Gold (3) over nickel (50) over copper (50) 2. Nickel (100) over copper (50) 3. Passivated IP67 when mated, if added suitable heatshrink with glue over rear body/cable, not included. IP40 unmated.	Impedance 50 ohm Frequency range DC - 6 GHz VSWR 1.2 max Insertion loss ≤ 0.3 dB Insulator resistance ≥ 5 G Ω Resistance, center contact ≤ 1.5 m Ω , outer c. ≤ 0.25 m Ω Test voltage 2500 V rms, working voltage 1400 V rms Power handling ≤ 700 W @ 2 GHz
Insulator	PTFE	-		
Body, shell	Brass	2		
Braid clamp	Brass	2		
Nut, washers	Brass	2		
Retainer ring	SUS 304	3		
Contact body	Brass	1		
Gaskets	Silicone	-		

Version A > B, from batch W51/23, changed contact body style to unslotted. Changed insulator dimensions, added locking barb to pin & changed style.



Cable stripping dimensions:



Title	Value
Drawing date	20.12.2024
Version	B
Website	www.paratronic.fi