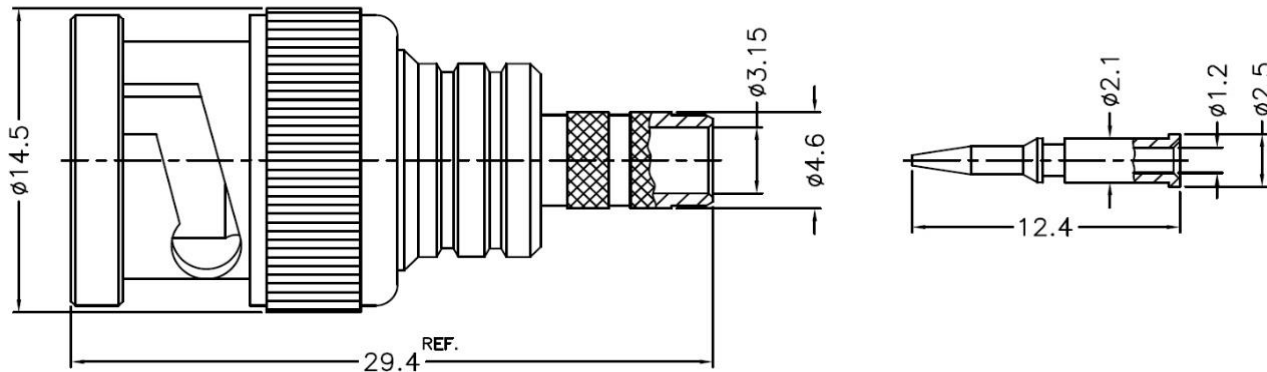


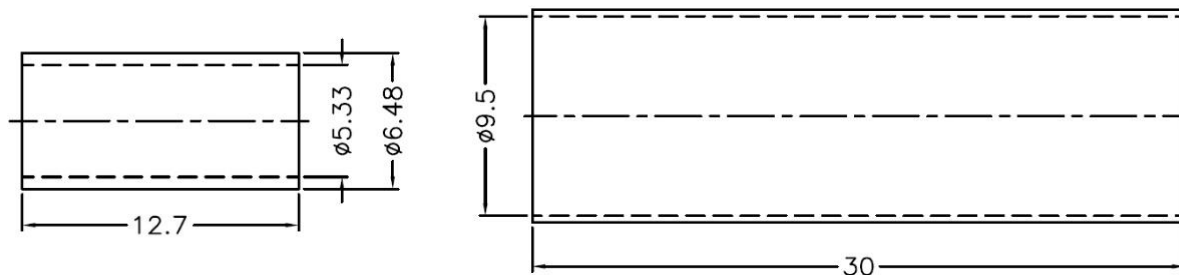
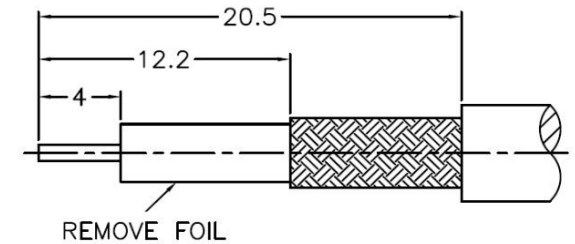
PRODUCT: BNC MALE CRIMP, STRAIGHT, 50 OHM, FOR AIRCELL 5, LMR-200

PRODUCT CODE: E3721, Paratronic Oy

Description	Material	Note	General information	
Contact pin	Brass	1	Dimensions in millimeters (mm), unless otherwise specified.	Impedance 50 ohm Frequency range DC - 4 GHz VSWR 1.35 max Insertion loss ≤ 0.3 dB Insulator resistance ≥ 5 G Ω Resistance, center contact ≤ 1.5 m Ω , outer c. ≤ 1 m Ω Test voltage 1500 V rms, working voltage 400 V rms Power handling ≤ 80 W @ 2 GHz
Insulator	POM	-	RoHS compliant. Directive 2015/863 with exemption 6(c)	
Body, shell	Brass	2	Note, finish, plating thickness in micro-inches, μ in (minimum):	
Washer	Brass	2	1. Gold (3) over nickel (50) over copper (50)	
Gasket	Silicone	-	2. Nickel (100) over copper (50)	
Spring	SK5	2		
Ferrule	Copper	2	Hex crimp size:	
Heat shrink	With glue	-	Ferrule 5.41 mm / 0.213", pin 1.72 mm / 0.068" or solder	
Retainer ring	Brass	2	IP67 when mated, IP40 unmated	



Cable stripping dimensions:



Title	Value
Drawing date	30.4.2023
Version	A
Website	www.paratronic.fi