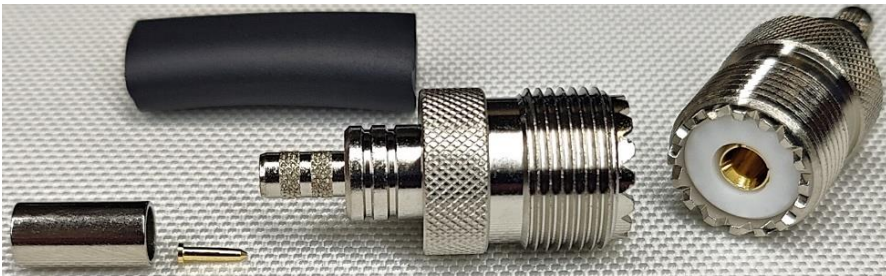
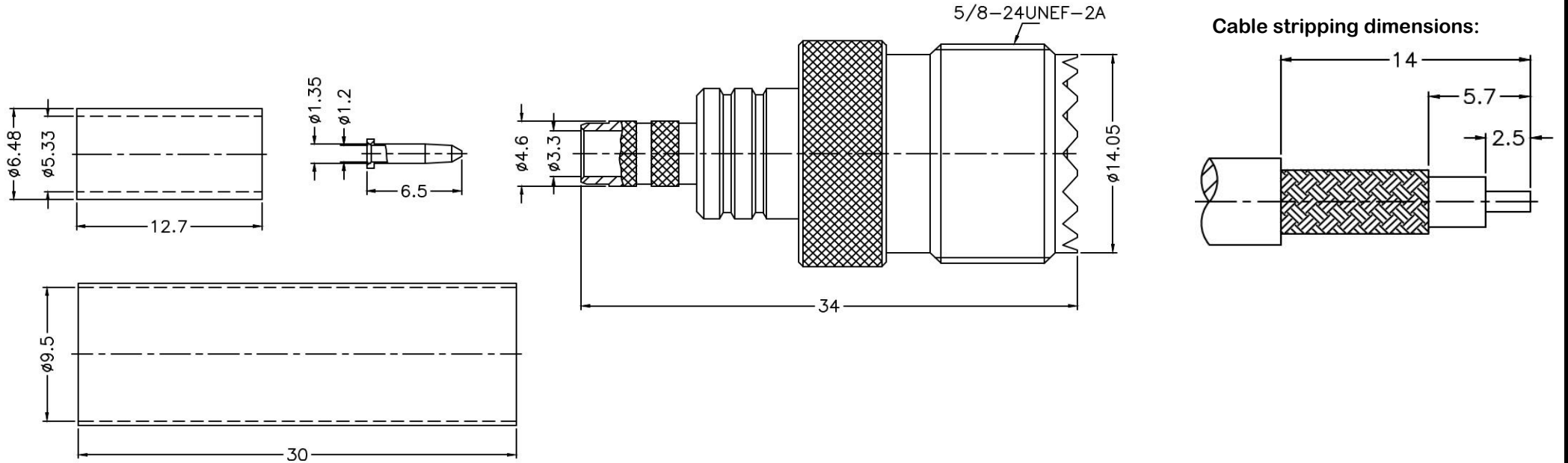


PRODUCT: UHF FEMALE CRIMP, STRAIGHT, FOR AIRCELL 5, LMR-200

PRODUCT CODE: E3761, Paratronic Oy

Description	Material	Note	General information	
Contact pin 1	Brass	1	Dimensions in millimeters (mm), unless otherwise specified. RoHS compliant. Directive 2015/863 with exemption 6(c) Note, finish, plating thickness in micro-inches, μin (minimum): 1. Gold (3) over nickel (50) over copper (50) 2. Nickel (100) over copper (50) Hex crimp size: Ferrule 5.41 mm / 0.213", pin square 1.09 mm / 0.043" or solder Cable/connector joint IP67. UHF coupling IP40.	Impedance not defined Frequency range DC - 300 MHz Insulator resistance $\geq 5 \text{ G}\Omega$ Resistance, center contact $\leq 5 \text{ m}\Omega$, outer c. $\leq 5 \text{ m}\Omega$ Test voltage 2200 V rms, working voltage 750 V rms Power handling $\leq 400 \text{ W @ 300 MHz}$
Contact pin 2	Brass	1		
Ferrule	Copper	2		
Insulators	PTFE	-		
Body	Brass	2		
Heat shrink	With glue	-		



Title	Value
Drawing date	26.6.2023
Version	A
Website	www.paratronic.fi