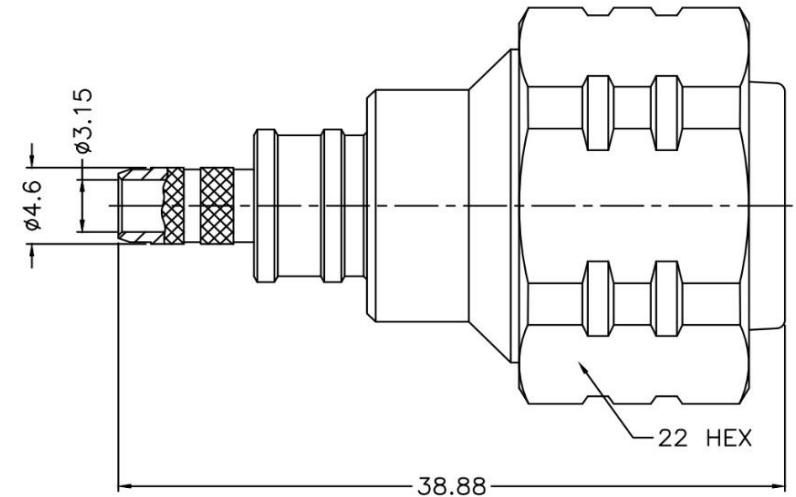
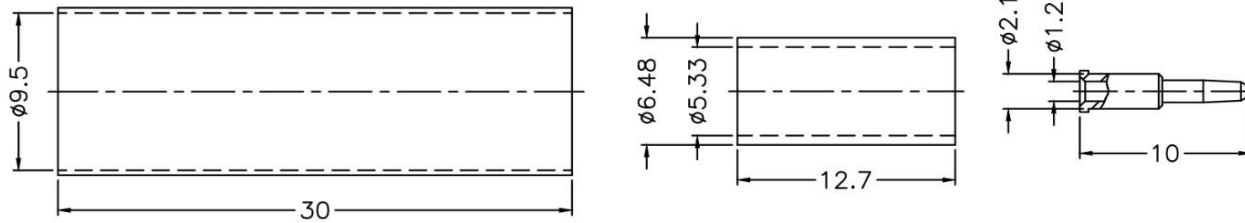
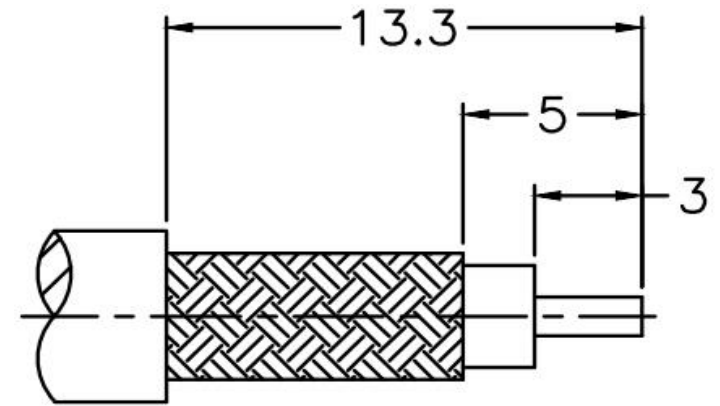


PRODUCT: 4.3-10 DIN MALE CRIMP, STRAIGHT, 50 OHM, FOR AIRCELL 5, LMR-200
PRODUCT CODE: E3770, Paratronic Oy

Description	Material	Note	General information
Ferrule	Copper	1	Dimensions in millimeters (mm), unless otherwise specified.
Cable end pin	Brass	2	RoHS compliant. Directive 2015/863 with exemption 6(c)
Insulator	PTFE	-	Note, finish, plating thickness in micro-inches, μin (minimum):
Body	Brass	1	1. Albaloy, copper-tin-zinc (80)
Retainer ring	Phosphor bronze	1	2. Silver (200) over copper (50)
Pin	Phosphor bronze	2	
Gasket	Silicone	-	Hex crimp size:
Heat shrink	With glue	-	Ferrule 5.41 mm / 0.213", pin 1.72 mm / 0.068" or solder
			IP67 when mated, IP40 unmated



Title	Value
Drawing date	31.7.2022
Version	A
Website	www.paratronic.fi