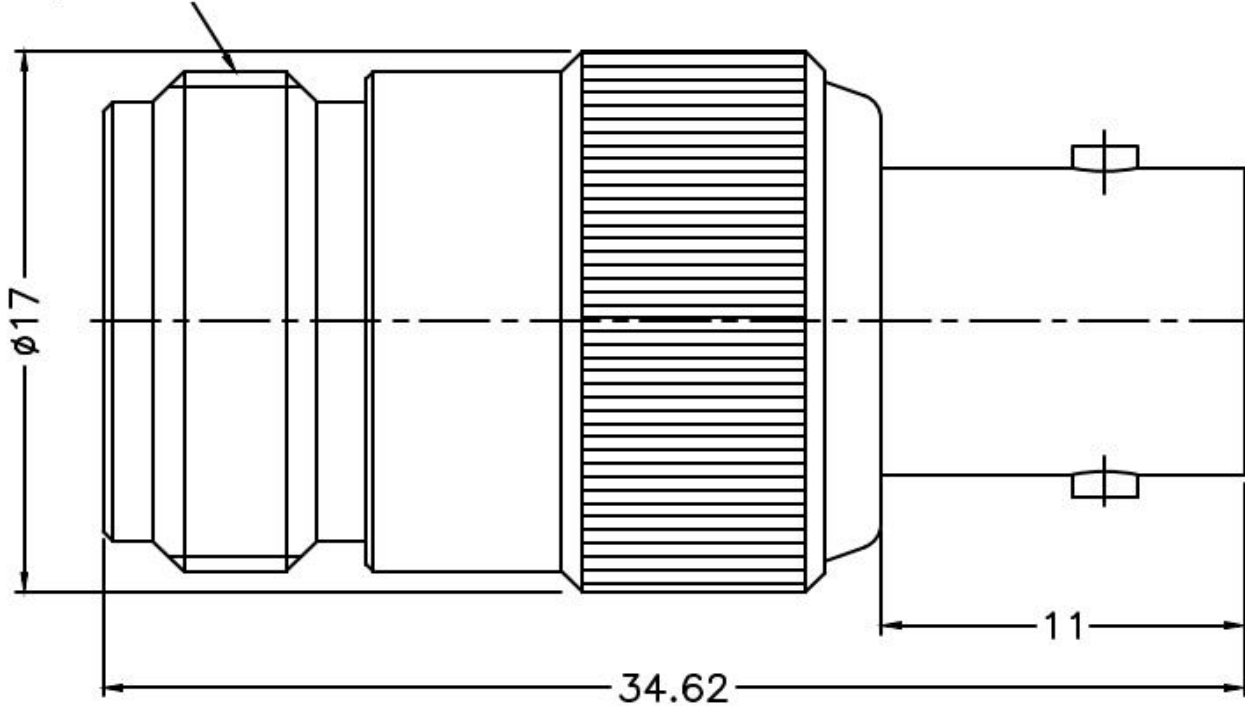


PRODUCT: BNC FEMALE TO N FEMALE ADAPTER, 50 OHM

PRODUCT CODE: E3802, Paratronic Oy

Description	Material	Note	General information	
Contact pin	Phosphor bronze	1	Dimensions in millimeters (mm), unless otherwise specified. RoHS compliant. Directive 2015/863 with exemption 6(c) Note, finish, plating thickness in micro-inches, μ in (minimum): 1. Gold (3) over nickel (50) over copper (50) 2. Nickel (100) over copper (50)	Impedance 50 ohm Frequency range DC - 4 GHz VSWR 1.25 max Insertion loss \leq 0.3 dB
Insulators	PTFE	-		
Body	Brass	2		

5/8-24UNEF-2A



Title	Value
Drawing date	22.1.2023
Version	A
Website	www.paratronic.fi