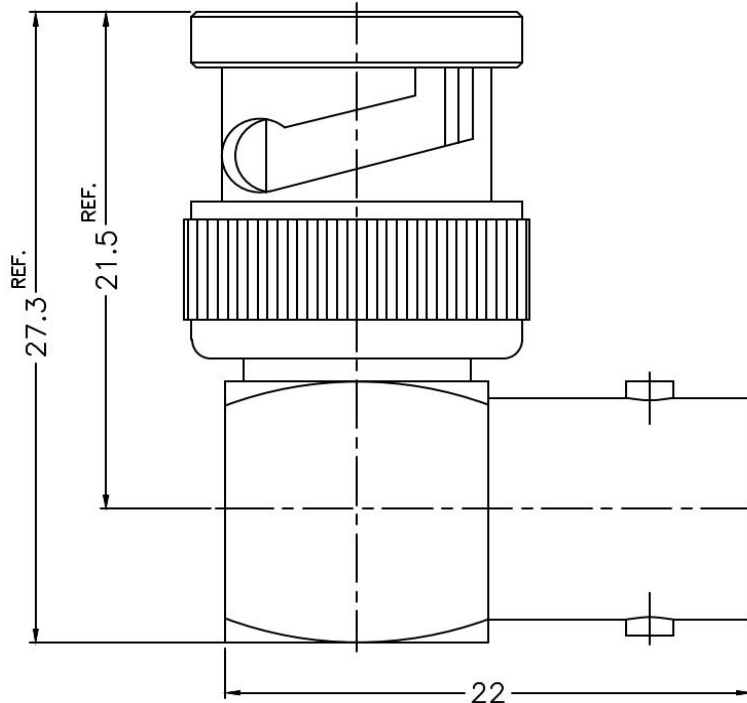


PRODUCT: BNC MALE TO BNC FEMALE RIGHT ANGLE ADAPTER, 50 OHM

PRODUCT CODE: E3822, Paratronic Oy

Description	Material	Note	General information	
Contact pin 1	Phosphor bronze	1	Dimensions in millimeters (mm), unless otherwise specified. RoHS compliant. Directive 2015/863 with exemption 6(c) Note, finish, plating thickness in micro-inches, μin (minimum): 1. Gold (3) over nickel (50) over copper (50) 2. Nickel (100) over copper (50)	Impedance 50 ohm Frequency range DC - 4 GHz VSWR 1.50 max Insertion loss ≤ 0.3 dB Insulator resistance ≥ 5 G Ω Resistance, center contact ≤ 1.5 m Ω , outer c. ≤ 1 m Ω Test voltage 1500 V rms, working voltage 400 V rms Power handling ≤ 80 W @ 2 GHz
Contact pin 2	Brass	1		
Insulators	POM	-		
Body	Brass	2		
Shell	Brass	2		
Housing	Brass	2		
Lock ring	Iron	2		
Cover	Brass	2		
Gasket	Silicone	-		
Retainer ring	Brass	2		
Washer	Brass	2		
Spring	SK5	2		



Title	Value
Drawing date	30.6.2024
Version	A
Website	www.paratronic.fi