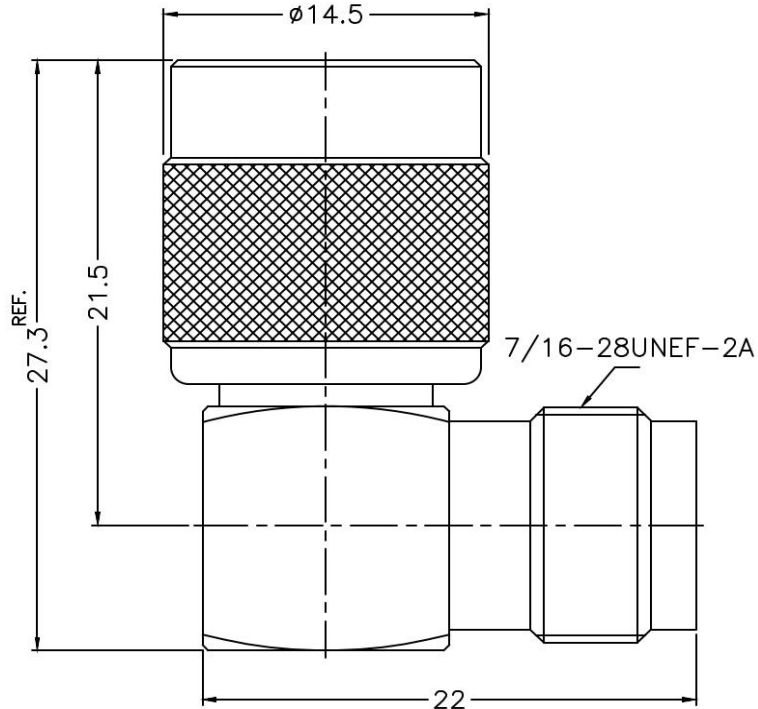


**PRODUCT: TNC MALE TO TNC FEMALE RIGHT ANGLE ADAPTER, 50 OHM**  
**PRODUCT CODE: E3829, Paratronic Oy**

Description	Material	Note	General information	
Contact pin 1	Phosphor bronze	1	Dimensions in millimeters (mm), unless otherwise specified. RoHS compliant. Directive 2015/863 with exemption 6(c) Note, finish, plating thickness in micro-inches, $\mu\text{in}$ (minimum): 1. Gold (3) over nickel (50) over copper (50) 2. Nickel (100) over copper (50)	Impedance 50 ohm Frequency range DC - 6 GHz VSWR 1.35 max Insertion loss $\leq 0.3$ dB Insulator resistance $\geq 5$ G $\Omega$ Resistance, center contact $\leq 1.5$ m $\Omega$ , outer c. $\leq 1$ m $\Omega$ Test voltage 1500 V rms, working voltage 400 V rms Power handling $\leq 80$ W @ 2 GHz
Contact pin 2	Brass	1		
Insulators	POM	-		
Body	Brass	2		
Shell	Brass	2		
Housing	Brass	2		
Lock ring	Brass	2		
Cover	Brass	2		
Gasket	Silicone	-		
Retainer ring	Brass	2		
Washer	Brass	2		
Ring	POM	-		



Title	Value
Drawing date	24.5.2023
Version	A
Website	<a href="http://www.paratronic.fi">www.paratronic.fi</a>