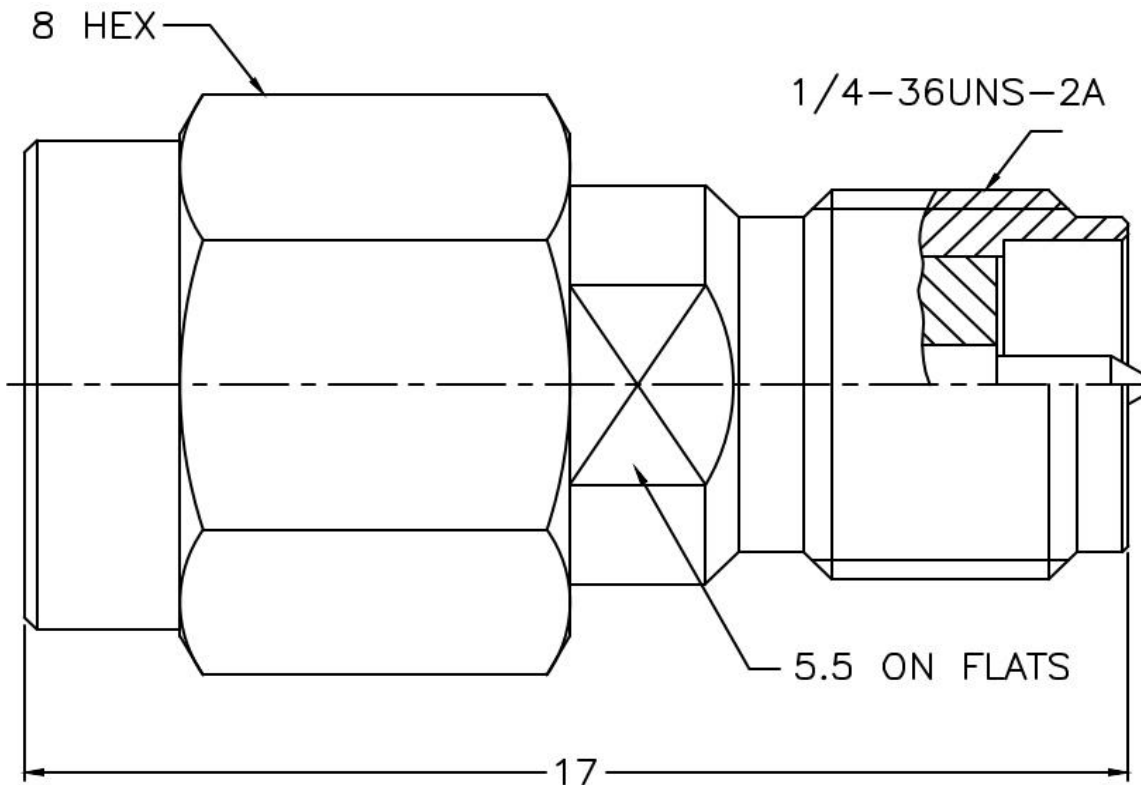


PRODUCT: SMA MALE TO RP-SMA FEMALE ADAPTER, 50 OHM
PRODUCT CODE: E3834, Paratronic Oy

Description	Material	Note	General information	
Contact pin	Brass	1	Dimensions in millimeters (mm), unless otherwise specified. RoHS compliant. Directive 2015/863 with exemption 6(c) Note, finish, plating thickness in micro-inches, μ in (minimum): 1. Gold (3) over nickel (50) over copper (50) 2. Thin gold over nickel (50) over copper (50) 3. Passivated	Impedance 50 ohm Frequency range DC - 18 GHz VSWR 1.25 max Insertion loss ≤ 0.4 dB Insulator resistance ≥ 5 G Ω Resistance, center contact ≤ 3 m Ω , outer contact ≤ 2 m Ω Test voltage 1000 V rms, working voltage 480 V rms Power handling ≤ 200 W @ 2 GHz RF-leakage -60 dB min
Insulator	PTFE	-		
Body	Brass	2		
Shell	Brass	2		
Retainer rings	SUS 304	3		
Gasket	Silicone	-		



Title	Value
Drawing date	25.9.2023
Version	A
Website	www.paratronic.fi