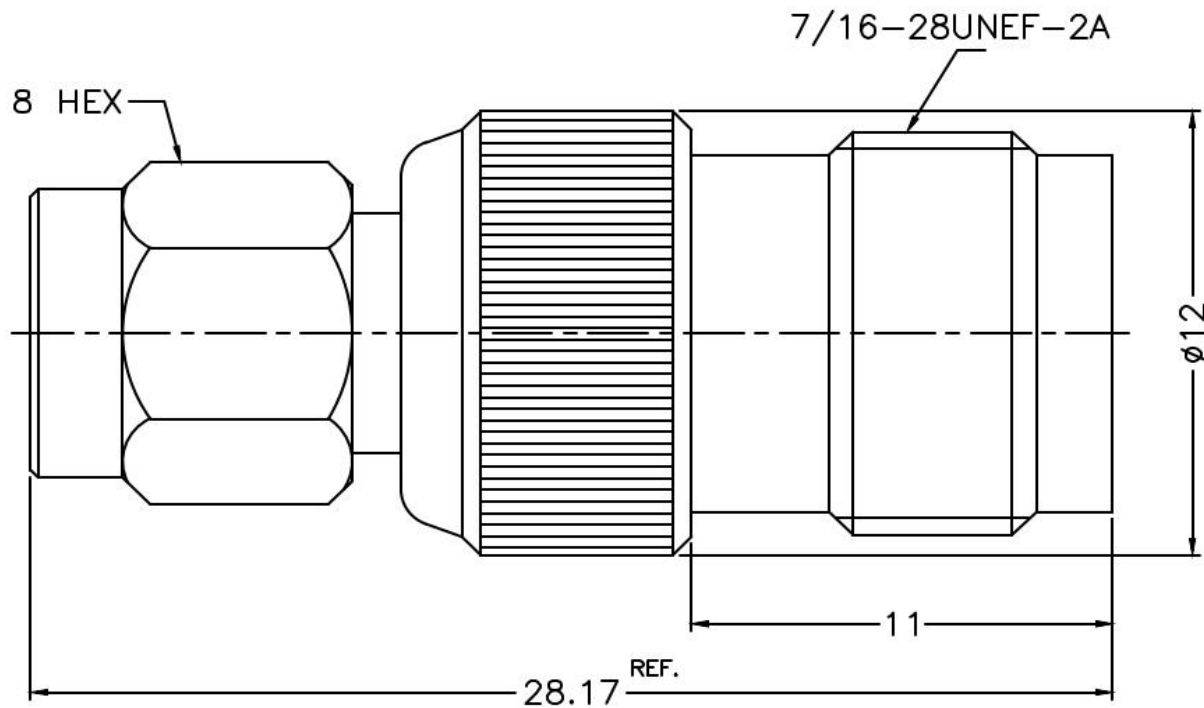


PRODUCT: RP-TNC FEMALE TO SMA MALE ADAPTER, 50 OHM

PRODUCT CODE: E3837, Paratronic Oy

Description	Material	Note	General information	
Contact pin	Brass	1	Dimensions in millimeters (mm), unless otherwise specified. RoHS compliant. Directive 2015/863 with exemption 6(c) Note, finish, plating thickness in micro-inches, μin (minimum): 1. Gold (3) over nickel (50) over copper (50) 2. Nickel (100) over copper (50) 3. Passivated	Impedance 50 ohm Frequency range DC - 6 GHz VSWR 1.30 max Insertion loss ≤ 0.3 dB
Insulator	PTFE	-		
Body	Brass	2		
Shell	Brass	2		
Gasket	Silicone	-		
Retainer ring	SUS 303	3		



Title	Value
Drawing date	22.10.2023
Version	A
Website	www.paratronic.fi