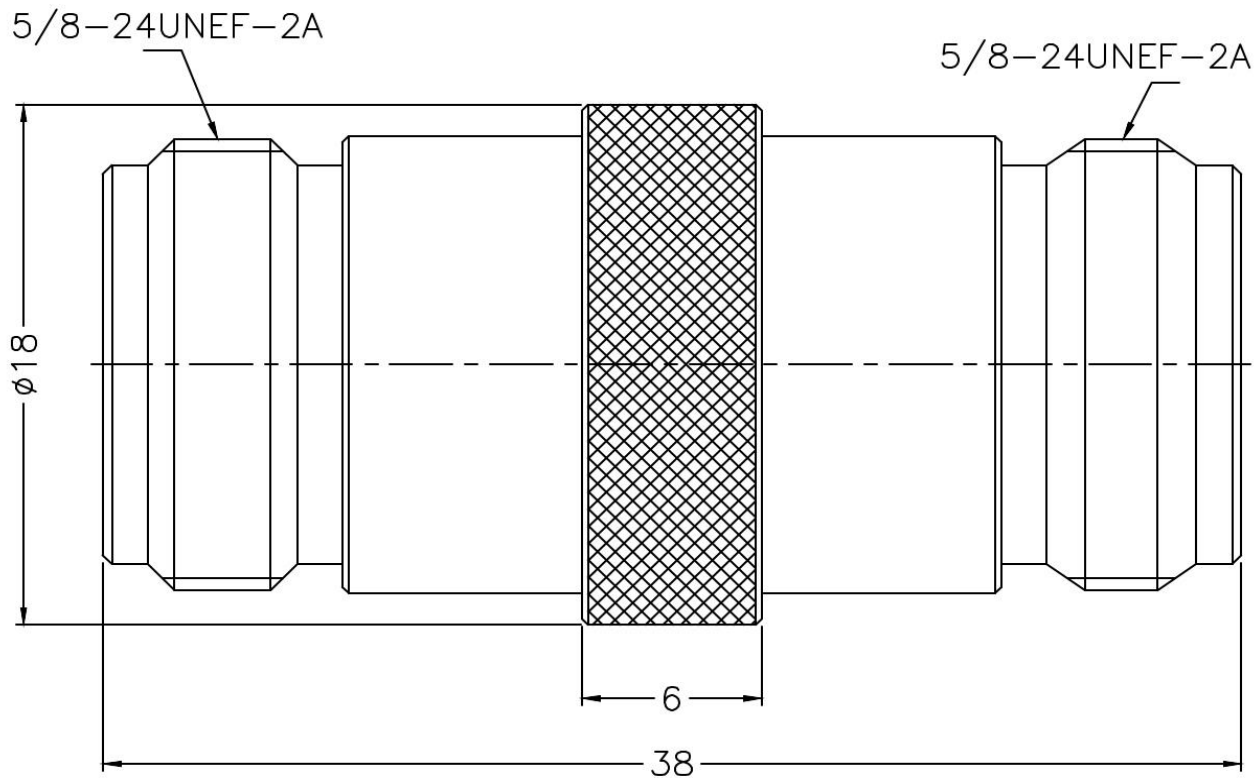


PRODUCT: N FEMALE TO N FEMALE ADAPTER

PRODUCT CODE: E3840, Paratronic Oy

| Description | Material | Note | General information | |
|-------------|-----------------|------|--|--|
| Contact pin | Phosphor bronze | 1 | Dimensions in millimeters (mm), unless otherwise specified. RoHS compliant. Directive 2015/863 with exemption 6(c) Note, finish, plating thickness in micro-inches, μ in (minimum): 1. Gold (3) over nickel (50) over copper (50) 2. Nickel (100) over copper (50) | Impedance 50 ohm Frequency range DC - 11 GHz VSWR 1.20 max Insertion loss \leq 0.4 dB Insulator resistance \geq 5 G Ω Resistance, center contact \leq 1.5 m Ω , outer c. \leq 0.25 m Ω Test voltage 2500 V rms, working voltage 1400 V rms Power handling \leq 700 W @ 2 GHz |
| Insulator | PTFE | - | | |
| Body | Brass | 2 | | |
| Housing | Brass | 2 | | |
| | | | | |



| Title | Value |
|--------------|--|
| Drawing date | 30.4.2024 |
| Version | A |
| Website | www.paratronic.fi |