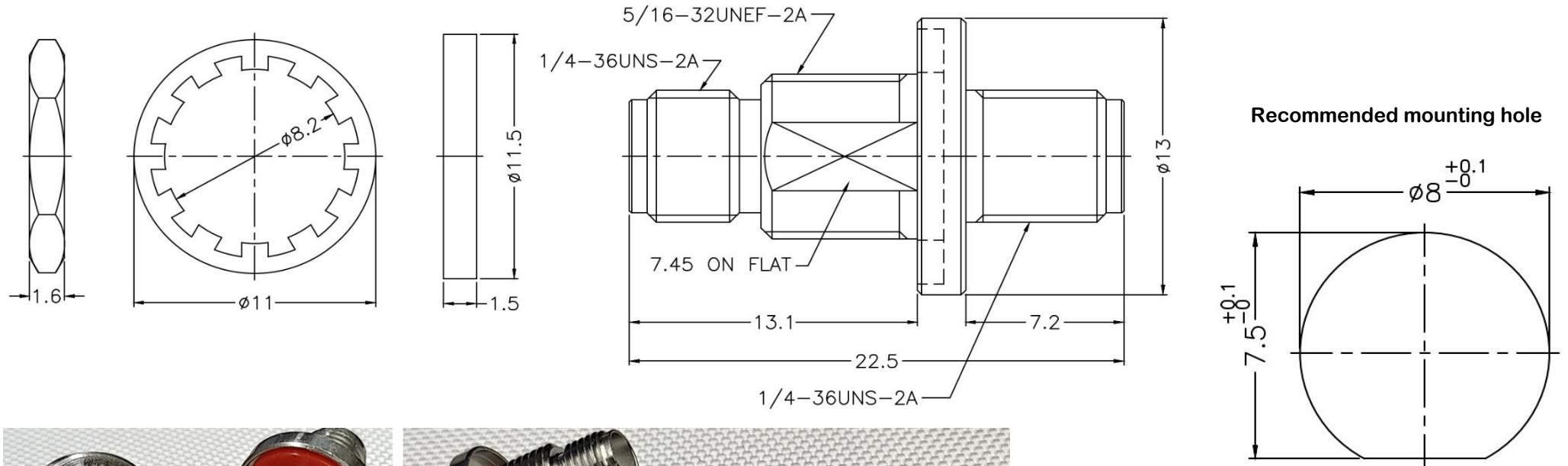


**PRODUCT: SMA FEMALE TO SMA FEMALE BULKEAD STRAIGHT ADAPTER, 50 OHM, IP67, 18 GHz**  
**PRODUCT CODE: E3848, Paratronic Oy**

Description	Material	Note	General information	
Contact pin	Beryllium copper	1	Dimensions in millimeters (mm), unless otherwise specified. RoHS compliant. Directive 2015/863 with exemption 6(c)  Note, finish, plating thickness in micro-inches, $\mu\text{in}$ (minimum): 1. Gold (3) over nickel (50) over copper (50) 2. Passivated  Max panel thickness 4.3 mm	Impedance 50 ohm
Insulator	PTFE	-		Frequency range DC - 18 GHz
Body, hex nut, lock washer	Stainless steel	2		VSWR 1.25 max @ DC - 18 GHz
Retainer ring	SUS 304	-		Insertion Loss: $\leq 0.3$ dB
Gasket	Silicone	-		Insulator resistance $\geq 5$ G $\Omega$
				Resistance, center contact $\leq 3$ m $\Omega$ , outer c. $\leq 2$ m $\Omega$
			Test voltage 1000 V rms, working voltage 480 V rms	
			Power Handling: $\leq 200$ W @ 2 GHz	
			RF-leakage: -60 dB min	



Title	Value
Drawing date	30.4.2024
Version	A
Website	www.paratronic.fi