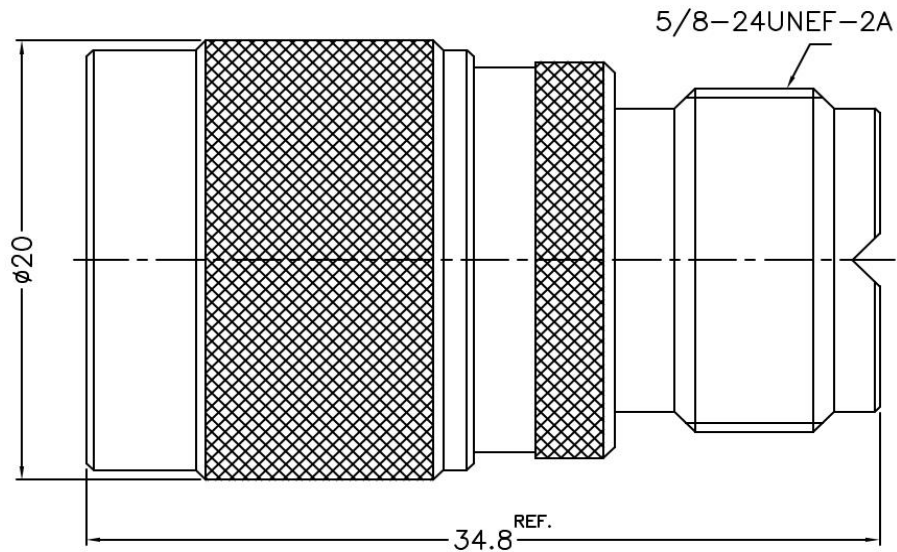


# PRODUCT: N MALE TO UHF FEMALE ADAPTER

PRODUCT CODE: E3858, Paratronic Oy

Description	Material	Note	General information	
Contact pin	Brass	1	Dimensions in millimeters (mm), unless otherwise specified. RoHS compliant. Directive 2015/863 with exemption 6(c) Note, finish, plating thickness in micro-inches, $\mu\text{in}$ (minimum): 1. Gold (3) over nickel (50) over copper (50) 2. Nickel (100) over copper (50) 3. Passivated	Impedance not defined Frequency range DC - 300 MHz
Insulator	PTFE	-		
Body, shell	Brass	2		
Contact body	Brass	2		
Ring	Brass	2		
Retainer ring	SUS 304	3		
Gasket	Silicone	-		



Title	Value
Drawing date	31.1.2025
Version	A
Website	<a href="http://www.paratronic.fi">www.paratronic.fi</a>