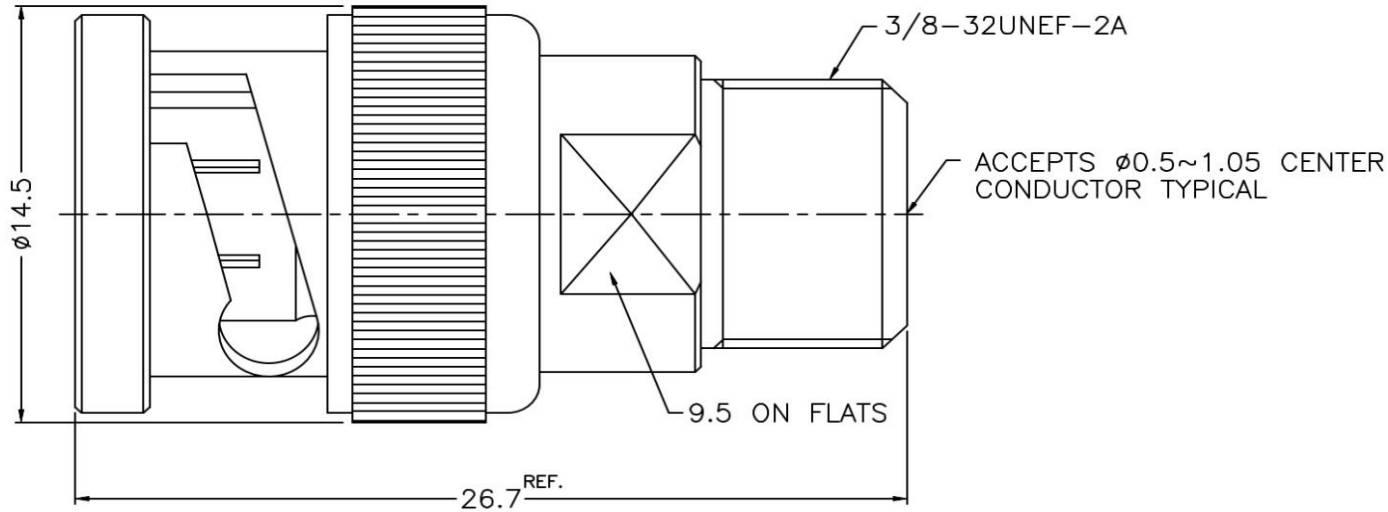


PRODUCT: F FEMALE TO BNC MALE ADAPTER, 75 OHM

PRODUCT CODE: E3866, Paratronic Oy

Description	Material	Note	General information	
Contact pin1	Beryllium copper	1	Dimensions in millimeters (mm), unless otherwise specified. RoHS compliant. Directive 2015/863 with exemption 6(c) Note, finish, plating thickness in micro-inches, μin (minimum): 1. Gold (3) over nickel (50) over copper (50) 2. Nickel (100) over copper (50)	Impedance 75 ohm Frequency range DC - 3 GHz VSWR 1.2 max Insertion loss ≤ 0.3 dB Insulator resistance ≥ 5 G Ω Resistance, center contact ≤ 6 m Ω , outer c. ≤ 2.5 m Ω Test voltage 1000 V rms, working voltage 500 V rms
Contact pin2	Brass	1		
Insulators	PTFE	-		
Body, shell	Brass	2		
Washer	Brass	2		
Retainer ring	Brass	2		
Spring	SK5	2		
Gasket	Rubber	-		



Title	Value
Drawing date	30.6.2025
Version	A
Website	www.paratronic.fi