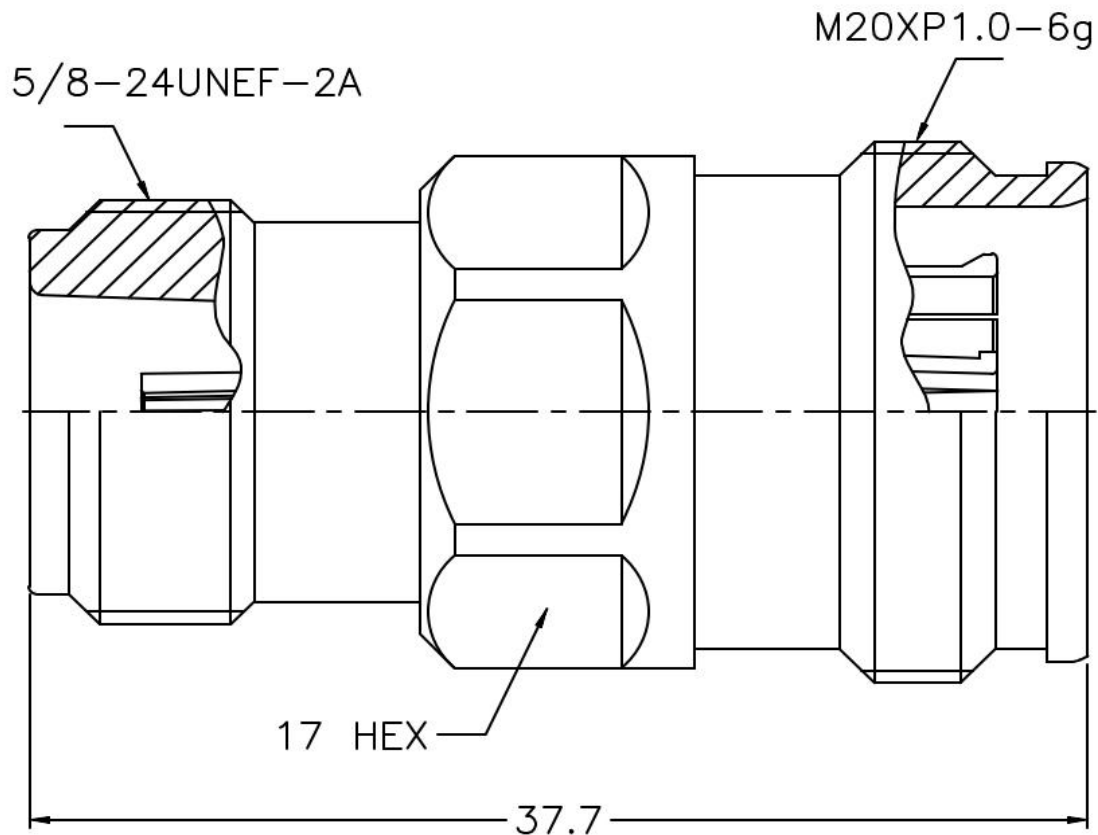


PRODUCT: 4.3-10 FEMALE TO N FEMALE ADAPTER, 50 OHM
PRODUCT CODE: E3868, Paratronic Oy

Description	Material	Note	General information	
Contact pin	Beryllium copper	1	Dimensions in millimeters (mm), unless otherwise specified. RoHS compliant. Directive 2015/863 with exemption 6(c) Note, finish, plating thickness in micro-inches, μin (minimum): 1. Silver(200) over copper (50) 2. Albaloy, copper-tin-zinc (80) Temperature range: -65 ... +165 °C	Impedance 50 ohm
Outer contact	Phosphor bronze	1		Frequency range DC - 6 GHz
Insulator	PTFE	-		VSWR 1.20 max
Body	Brass	2		Insertion loss ≤ 0.2 dB
				Passive intermodulation: 160 dBc @ 0.4 - 4 GHz
				Mating cycles: 100 min.



Title	Value
Drawing date	16.7.2025
Version	A
Website	www.paratronic.fi