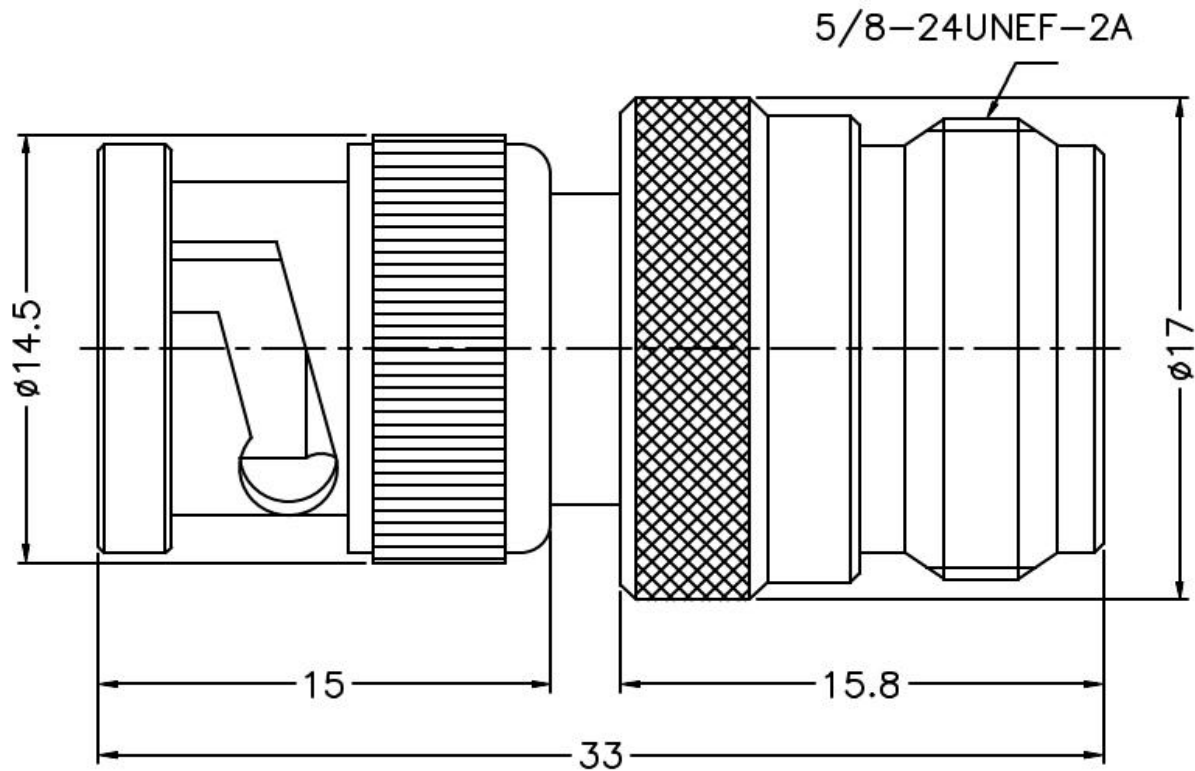


# PRODUCT: N FEMALE TO BNC MALE ADAPTER, 50 OHM

PRODUCT CODE: E3872, Paratronic Oy

Description	Material	Note	General information	
Contact pin	Phosphor bronze	1	Dimensions in millimeters (mm), unless otherwise specified. RoHS compliant. Directive 2015/863 with exemption 6(c) Note, finish, plating thickness in micro-inches, $\mu\text{in}$ (minimum): 1. Gold (3) over nickel (50) over copper (50) 2. Nickel (100) over copper (50) Temperature range: -50 ... +165 °C	Impedance 50 ohm Frequency range DC - 4 GHz VSWR 1.25 max Insertion loss $\leq 0.3$ dB Mating cycles: 500 min.
Insulator	PTFE	-		
Inner body	Brass	2		
Retainer ring	Brass	2		
Housing	Brass	2		
Shell	Brass	2		
Washer	Brass	2		
Spring	SK5	2		
Gasket	Silicone	-		



Title	Value
Drawing date	31.10.2025
Version	A
Website	<a href="http://www.paratronic.fi">www.paratronic.fi</a>