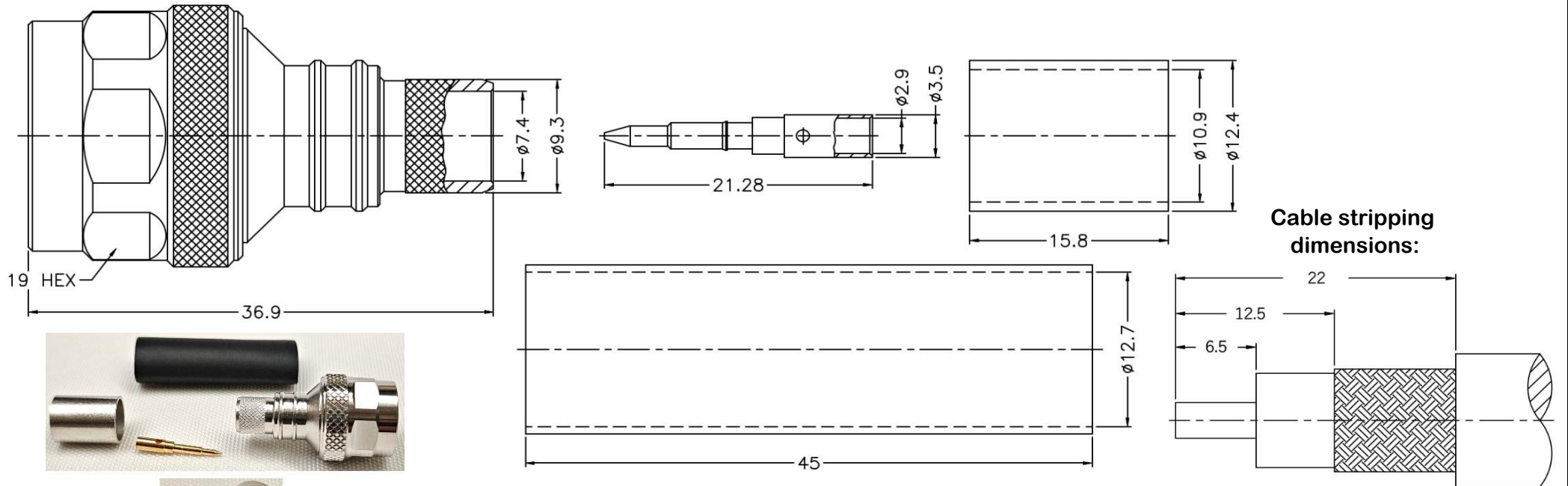


PRODUCT: N MALE PLUG CRIMP, STRAIGHT, FOR ECOFLEX 10, AIRCOM PREMIUM 10, LMR-400
PRODUCT CODE: E4100, Paratronic Oy

Description	Material	Note	General information	
Contact pin	Brass	1	Dimensions in millimeters (mm), unless otherwise specified.	Impedance 50 ohm Frequency range DC - 11 GHz VSWR 1.3 max @ DC - 11 GHz Insertion loss 0.25 dB max @ DC - 11 GHz Insulator resistance $\geq 5000 \text{ M}\Omega$ Resistance, center contact $\leq 3 \text{ m}\Omega$, outer c. $\leq 2 \text{ m}\Omega$ Test voltage 2500 V rms, working voltage 1000 V rms Power handling $\leq 700 \text{ W @ 2 GHz}$ Assembly instruction: AS-1
Insulator	PTFE	-	RoHS compliant. Directive 2015/863 with exemption 6(c)	
Body	Brass	2	Note, finish, plating thickness in micro-inches, μin (minimum):	
Contact body	Brass	2	1. Gold (5) over copper (50)	
Ferrule	Brass	2	2. Albaloy, copper-tin-zinc (80)	
Heat shrink	With glue	-	3. Passivated	
Gasket	Silicone	-	Assembly:	
Retainer ring	SUS 304	3	Ferrule: Hex crimp 10.9 mm / 0.429"	
Shell	Brass	2	Pin, copper core cable: Solder or hex crimp 3.00 mm / .118"	
			Pin, copper plated aluminium core cable: Solder	
			IP67 when mated, IP40 unmated	



Title	Value
Drawing date	30.11.2024
Version	A
Website	www.paratronic.fi