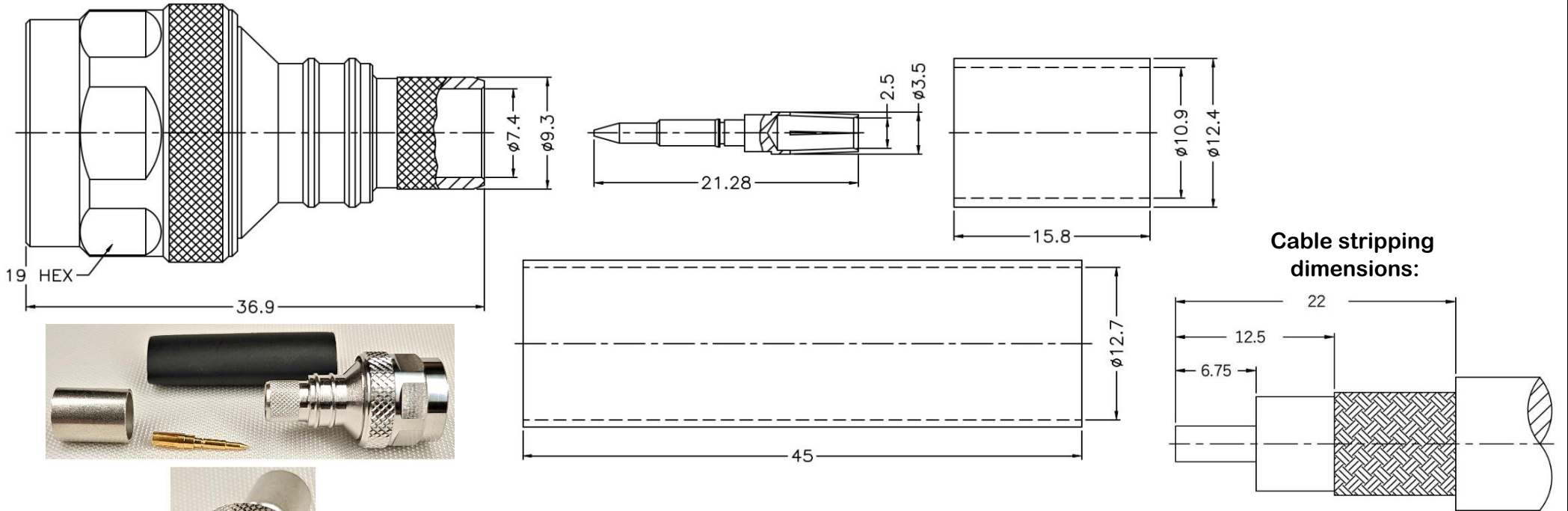


PRODUCT: N MALE PLUG CRIMP, SOLDERLESS PUSH IN PIN, STRAIGHT, FOR ECOFLEX 10
PRODUCT CODE: E4101, Paratronic Oy

Description	Material	Note	General information	
Contact pin	Brass	1	Dimensions in millimeters (mm), unless otherwise specified. RoHS compliant. Directive 2015/863 with exemption 6(c) Note, finish, plating thickness in micro-inches, μin (minimum): 1. Gold (5) over copper (50) 2. Albaloy, copper-tin-zinc (80) 3. Passivated Assembly: Ferrule: Hex crimp 10.9 mm / 0.429" Pin: Push in. Spring fingers, no crimping or soldering. IP67 when mated, IP40 unmated	Impedance 50 ohm Frequency range DC - 11 GHz VSWR 1.3 max @ DC - 11 GHz Insertion loss 0.25 dB max @ DC - 11 GHz Insulator resistance $\geq 5000 \text{ M}\Omega$ Resistance, center contact $\leq 3 \text{ m}\Omega$, outer c. $\leq 2 \text{ m}\Omega$ Test voltage 2500 V rms, working voltage 1000 V rms Power handling $\leq 700 \text{ W @ 2 GHz}$ Assembly instruction: AS-6
Insulator	PTFE	-		
Body	Brass	2		
Contact body	Brass	2		
Ferrule	Brass	2		
Heat shrink	With glue	-		
Gasket	Silicone	-		
Retainer ring	SUS 304	3		
Shell	Brass	2		



Title	Value
Drawing date	30.11.2024
Version	A
Website	www.paratronic.fi