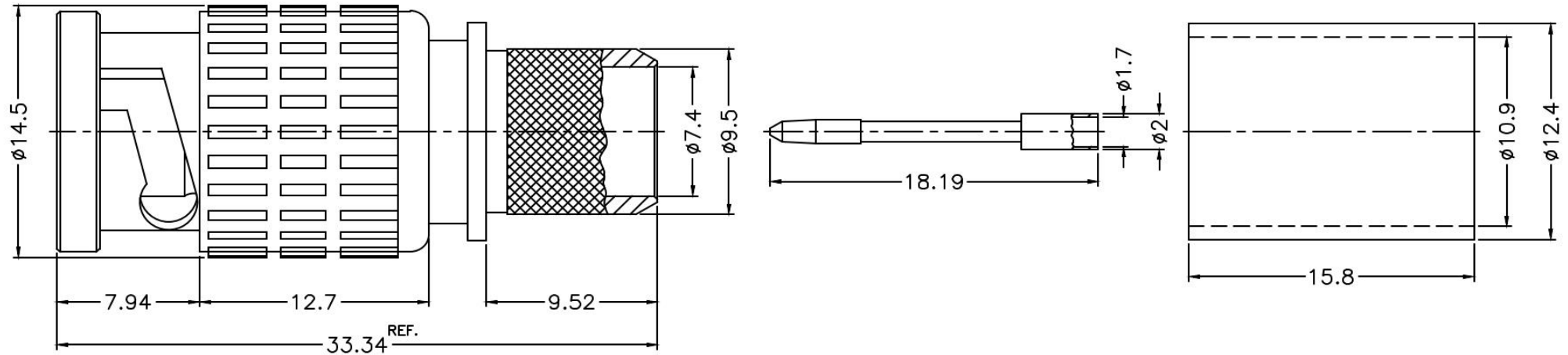
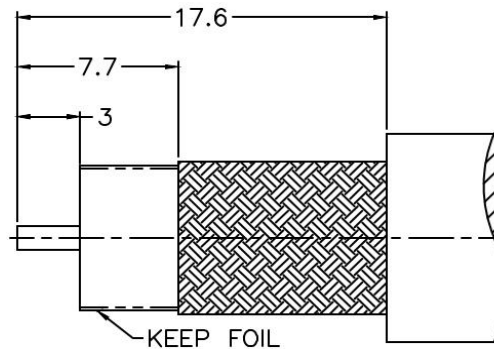


**PRODUCT: BNC MALE CRIMP, STRAIGHT, 75 OHM, FOR RG-11, AL-117**  
**PRODUCT CODE: E4200, Paratronic Oy**

Description	Material	Note	General information	
Contact pin	Brass	1	Dimensions in millimeters (mm), unless otherwise specified. RoHS compliant. Directive 2015/863 with exemption 6(c) Note, finish, plating thickness in micro-inches, pin (minimum): 1. Gold (3) over nickel (50) over copper (50) 2. Nickel (100) over copper (50)  Hex crimp size: Ferrule 10.9 mm / 0.429", pin 1.72 mm / 0.068" or solder IP40	Impedance 75 ohm Frequency range DC - 12 GHz VSWR 1.25 max Insertion loss $\leq 0.5$ dB Insulator resistance $\geq 5$ G $\Omega$ Resistance, center contact $\leq 1.5$ m $\Omega$ , outer c. $\leq 1$ m $\Omega$ Test voltage 1500 V rms, working voltage 400 V rms Power handling $\leq 80$ W @ 2 GHz 12G-SDI / UHD 4K compatible
Insulator	PTFE	-		
Body, shell	Brass	2		
Washer	Brass	2		
Gasket	Silicone	-		
Spring	SK5	2		
Ferrule	Brass	2		
Retainer ring	Brass	2		



**Cable stripping dimensions:**



Title	Value
Drawing date	30.8.2024
Version	A
Website	www.paratronic.fi