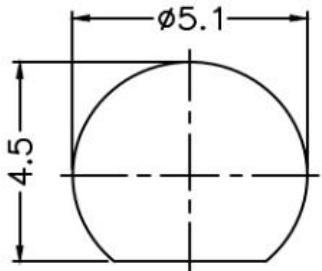
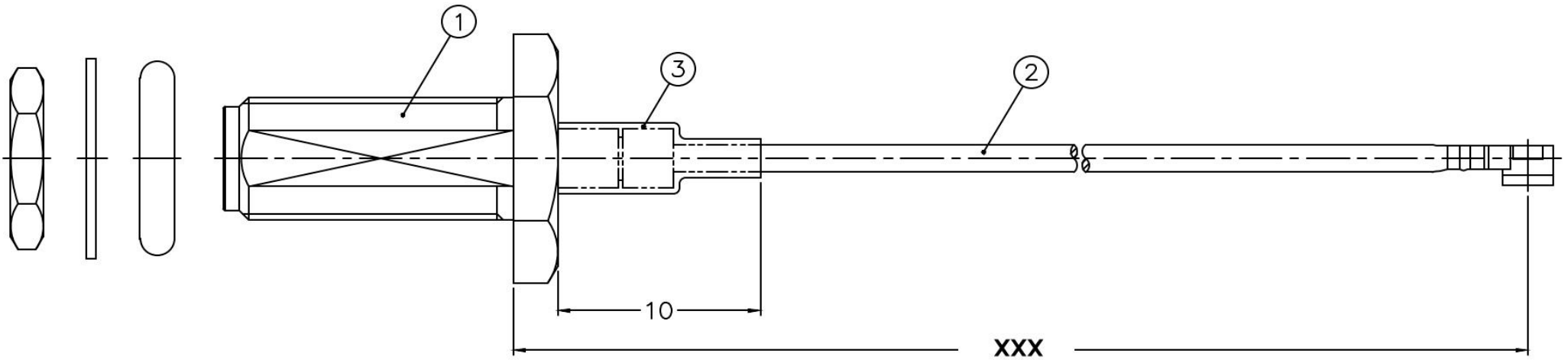


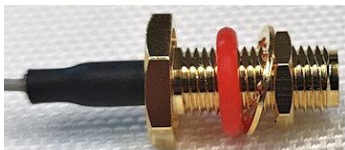
PRODUCT: CABLE ASSEMBLY, SMA FEMALE BH - 1.13MM CABLE - I-PEX MHF I PLUG R/A

PRODUCT CODE: E9000-xxx *, Paratronic Oy

Part	Material	General information
1	SMA female, bulkhead, with O-ring	Dimensions in millimeters (mm), unless otherwise specified. RoHS compliant. Directive 2015/863 with exemption 6(c)
2	1.13mm 50 ohm cable, with I-PEX MHF I plug r/a (20278-112R-13)	
3	Heat shrink with glue	
* xxx = lenght in mm		SMA panel mount IP67



RECOMMENDED MOUNTING HOLE



Title	Value
Drawing date	26.5.2023
Version	A
Website	www.paratronic.fi