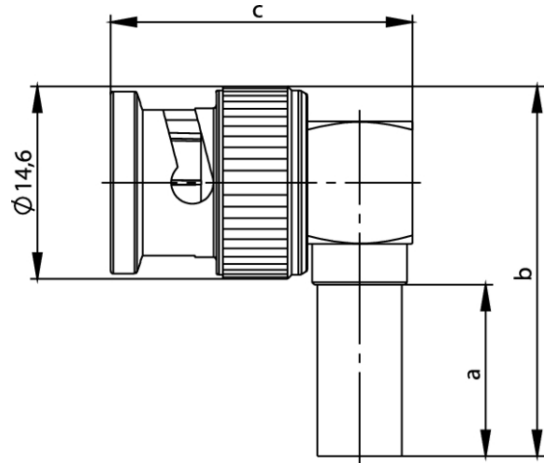


order number: J01002A1356

BNC Angle Plug Crimp G2 (RG-59B/U) solder/crimp



Technical Attributes	
Z	75 $\Omega$
Cable group; cable	G2 (RG-59B/U); G39 (0.8/3.7-615) 0.6/3.7 0.6L/3.7 8241 0.8/3.7 AF Image 720 0.8/3.7C KX 6A  RG-59B/U 3C-2V TELASS 80  1505A VPM2000
Remarks	solder/crimp
Dimensions	a=13, b=28.2, c~23
Assembly	A0531
Crimp die	N01003A0056

MIL-Std.	
----------	--

## Product description

The BNC series is the most commonly used coax connector. With its bayonet coupling mechanism this connector can be used up to 4 GHz. Both 50 and 75  $\Omega$  impedances are available. Connector styles are available for flexible, conformable and semi-rigid cable types. Versions of the BNC connector are available for mounting to printed circuit boards using both through-hole soldered and through-hole press-fit techniques. Both crimp and clamp cable termination processes are used for this series. BNC connectors are used for signal, data and video transmission applications.

Mating face sealing for BNC connectors between plug and jack (mated) according to IP 54. The classifications are general statements for the relevant series. Individual connectors may deviate from the values shown. If in doubt, please consult our engineers.

Mechanical Characteristics	
Durability (mating cycles)	$\geq 500$
Material: spring contacts	CuBe2; CuPb1.15Ni1
Material: outer conductor	CuZn39Pb3
Material: other metal parts	CuZn39Pb3
Material: insulators	PTFE; PE    PTFE; PE
Material: gaskets	Silicone    Silicone
Finish: Inner conductor	Cu1Ni2Au0.8
Finish: Outer conductor	Cu2Ni5 (Nickel); Ag2CuSnZn0.5 (Optargen)
Finish: Other metal parts	Cu2Ni5

Climatic Characteristics	
Climatic category acc. to IEC 60068 - 1	
Types with PTFE insulator	40/155/21
Types with PE insulator	40/75/21

Electrical Characteristics	
Contact resistance inner conductor	$\leq 20 \text{ m}\Omega$
Contact resistance outer conductor	$\leq 5 \text{ m}\Omega$
Insulation resistance	$\geq 5 \text{ G}\Omega$

Voltage proof	1.5 kVeff/50 Hz
Impedance	50 Ω/(75 Ω)
Return loss: Straight style	≥ 20 dB/3 GHz (50 Ω types)
Return loss: Angle style	≥ 17.7 dB/3 GHz (50 Ω types)
Working voltage	≤ 500 Veff/50 Hz
Frequency range up to	4 GHz

Standards	
IEC 61 169-8	

### Note

Combination connectors and cable clamps can be utilised to create a further number of BNC connector variations.